

HYDRA KOOL



PULL OUT
CONDENSING UNIT
ON SELF CONTAINED



PULL OUT EVAP PAN
FOR EASY CLEANING
ON SELF CONTAINED



DIGITAL CONTROLLER
WITH HIGH HEAD ALARM
ON SELF CONTAINED

CURVED GLASS DELI CASE

MEDIUM TEMPERATURE
TILT OUT CURVED
TEMPERED FRONT GLASS
REAR TEMPERED
SLIDING DOORS
DESIGNED FOR FRESH MEAT

MODELS

KFM - CG - (40,50,60,80,100,120) - S

KFM - CG - (40,50,60,80,100,120) - R



REMOTE AND SELF CONTAINED
404A REF - FORCED AIR REFRIGERATION



Tel.: 514.737.9701 / Toll Free: 888.275.4538

Fax: 514.342.3854 / Toll Free: 877.453.8832

sales@mvpgroupcorp.com

www.mvpgroupcorp.com



CURVED GLASS HYDRA KOOL DELI CASE

SELF CONTAINED	MODELS	O.A. LENGTH INCHES	CASE TEMP	ELECTRICAL - 115 VOLTS					WEIGHT LBS
				COMPRESSOR		LIGHTS AND FANS	EVAP PAN	TOTAL AMPS	
				F.L.A.	L.R.A.				
	KFM-CG-40-S	40-3/8	32/40 F	10.5	40	1.0	3.3	14.8	333
	KFM-CG-50-S	52-1/8	32/40 F	8.4	41	1.1	3.3	12.7	377
	KFM-CG-60-S	60	32/40 F	8.4	41	1.3	3.3	13.1	428
	KFM-CG-80-S	77-1/2	32/40 F	9.9	49	2.0	3.3	15.2	531
	KFM-CG-100-S	101-1/8	32/40 F	12.9	64	2.2	3.3	18.4	659
	KFM-CG-120-S	117	32/40 F	12.9	64	2.5	3.3	18.8	787

REMOTE	MODELS	O.A. LENGTH INCHES	CASE TEMP	115 VOLTS		WEIGHT LBS
				TOTAL AMPS	B.T.U.	
	KFM-CG-40-R	40-3/8	32/40 F	0.5	2194	265
	KFM-CG-50-R	52-1/8	32/40 F	0.6	2859	322
	KFM-CG-60-R	60	32/40 F	0.9	3260	373
	KFM-CG-80-R	77-1/2	32/40 F	1.1	4209	498
	KFM-CG-100-R	101-1/8	32/40 F	1.3	4845	604
	KFM-CG-120-R	117	32/40 F	1.6	6357	721

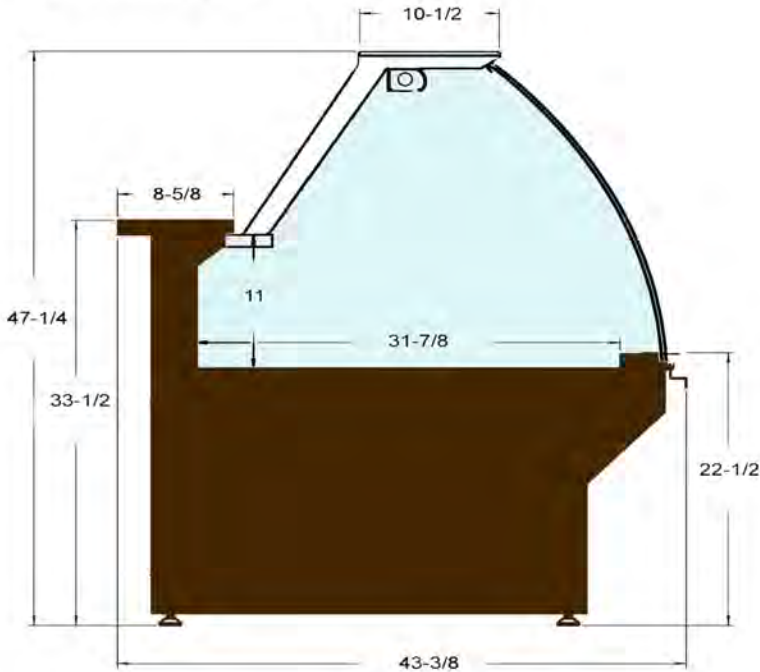
THESE CASES ARE DESIGNED TO OPERATE USING R404A REFRIGERANT

B.T.U.'S CALCULATED AT +14° F EVAP AND 90° F AMBIENT

CASES ENGINEERED TO OPERATE AT 75° F AND 55% RH

** ON REMOTE CASES - IF NO FLOOR DRAIN IS PROVIDED - AN EVAPORATIVE DRAIN PAN MUST BE ORDERED
ADD 3.3 AMPS WHEN USING A PAN

O.A. DIMENSIONS INCLUDE (2) ENDS - EACH 1-1/2"



MOUNTING

STANDARD



ADJUSTABLE FEET

OPTIONAL



ADJUSTABLE LEGS

OPTIONAL



CASTERS

STANDARD FEATURES

- INSULATION - INJECTED FOAM
- INTERIOR - STAINLESS STEEL
- EXTERIOR - PVC COATED STEEL-SILVER
- ENDS-FOAMED BLACK POLYSTYRENE
- TILT- FORWARD TEMPERED FRONT GLASS
- CORD AND PLUG
- CASES ARE MULTIPLEXIBLE
- LED LIGHTING IN CANOPY
- REMOVABLE REAR TEMPERED GLASS SLIDING DOORS
- DEFROST AND TEMPERATURE REGULATED BY A DIGITAL CONTROLLER
- REMOVABLE EVAPORATIVE PAN FOR EASY CLEANING ON S/C ONLY
- PULL-OUT CONDENSING UNIT -ON S/C ONLY
- ANTI-CONDENSATE SYSTEM FOR FRONT GLASS
- ADJUSTABLE FEET
- ETL LISTED TO UL471 AND SANITATION CLASSIFIED TO NSF7

OPTIONAL FEATURES

- LIFT UP FRONT GLASS
- CASTERS - ADD 4-3/8" TO HEIGHT
- ADJUSTABLE STAINLESS STEEL LEGS- FROM 5-1/8" TO 7-5/8"
- OTHER COLORS AVAILABLE
- STAINLESS STEEL EXTERIOR
- EVAPORATIVE PAN FOR REMOTE CASES
- WHITE APOXY BI-LEVEL WIRE RACKS
- SCALE STAND WITH RECEPTACLE
- CUTTING BOARD
- (2) OR (3) LEVEL STEP SHAM
- KNIFE SUPPORT

WARRANTY

ONE YEAR PARTS AND LABOR WITH FOUR ADDITIONAL YEARS COMPRESSOR (PARTS ONLY)