

HYDRA KOOOL



PULL OUT
CONDENSING UNIT
ON SELF CONTAINED



PULL OUT EVAP PAN
FOR EASY CLEANING
ON SELF CONTAINED



DIGITAL CONTROLLER
WITH HIGH HEAD ALARM
ON SELF CONTAINED

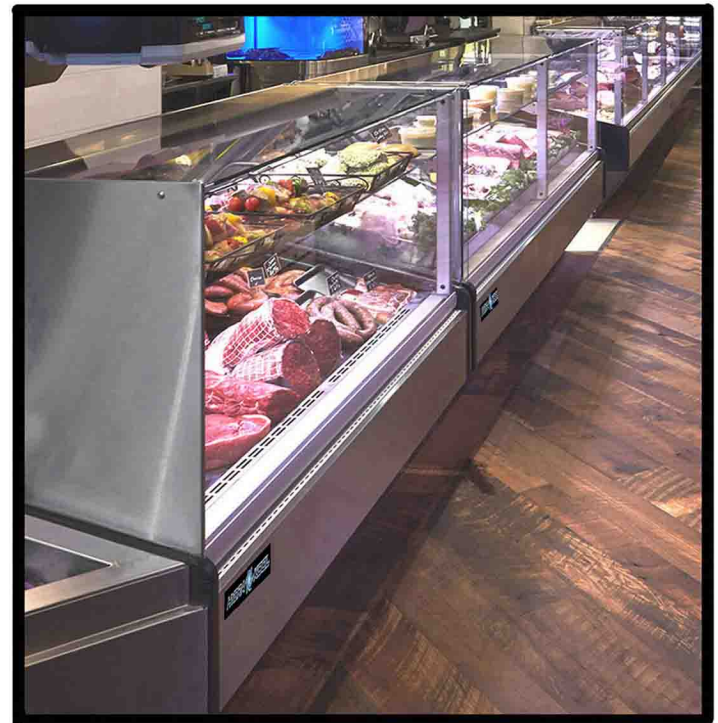
FLAT GLASS DELI CASE

**MEDIUM TEMPERATURE
TILT OUT FLAT
TEMPERED FRONT GLASS
REAR TEMPERED
SLIDING DOORS
DESIGNED FOR FRESH MEAT**

MODELS

KFM - FG - (40,50,60,80,100,120) - S

KFM - FG - (40,50,60,80,100,120) - R



Intertek



Intertek

**REMOTE AND SELF CONTAINED
404A REF - FORCED AIR REFRIGERATION**

AQ
AUTOQUOTES

MVP
GROUP

Tel.: 514.737.9701 / Toll Free: 888.275.4538

Fax: 514.342.3854 / Toll Free: 877.453.8832

sales@mvpgroupcorp.com

www.mvpgroupcorp.com

KOOL-IT

FLAT GLASS HYDRA KOOL DELI CASE

| SELF CONTAINED | MODELS | O.A. LENGTH INCHES | CASE TEMP | ELECTRICAL - 115 VOLTS | | | | | WEIGHT LBS |
|----------------|--------------|--------------------|-----------|------------------------|--------|-----------------|----------|------------|------------|
| | | | | COMPRESSOR | | LIGHTS AND FANS | EVAP PAN | TOTAL AMPS | |
| | | | | F.L.A. | L.R.A. | | | | |
| | KFM-FG-40-S | 40-3/8 | 32/40 F | 10.5 | 40 | 1.0 | 3.3 | 14.8 | 351 |
| | KFM-FG-50-S | 52-1/8 | 32/40 F | 8.4 | 41 | 1.1 | 3.3 | 12.7 | 399 |
| | KFM-FG-60-S | 60 | 32/40 F | 8.4 | 41 | 1.3 | 3.3 | 13.1 | 452 |
| | KFM-FG-80-S | 77-1/2 | 32/40 F | 9.9 | 49 | 2.0 | 3.3 | 15.2 | 562 |
| | KFM-FG-100-S | 101-1/8 | 32/40 F | 12.9 | 64 | 2.2 | 3.3 | 18.4 | 697 |
| | KFM-FG-120-S | 117 | 32/40 F | 12.9 | 64 | 2.5 | 3.3 | 18.8 | 831 |

| REMOTE | MODELS | O.A. LENGTH INCHES | CASE TEMP | 115 VOLTS TOTAL AMPS | B.T.U. | WEIGHT LBS |
|--------|--------------|--------------------|-----------|----------------------|--------|------------|
| | | | | | | |
| | KFM-FG-50-R | 52-1/8 | 32/40 F | 0.6 | 2859 | 344 |
| | KFM-FG-60-R | 60 | 32/40 F | 0.9 | 3260 | 397 |
| | KFM-FG-80-R | 77-1/2 | 32/40 F | 1.1 | 4209 | 529 |
| | KFM-FG-100-R | 101-1/8 | 32/40 F | 1.3 | 4845 | 642 |
| | KFM-FG-120-R | 117 | 32/40 F | 1.6 | 6357 | 765 |

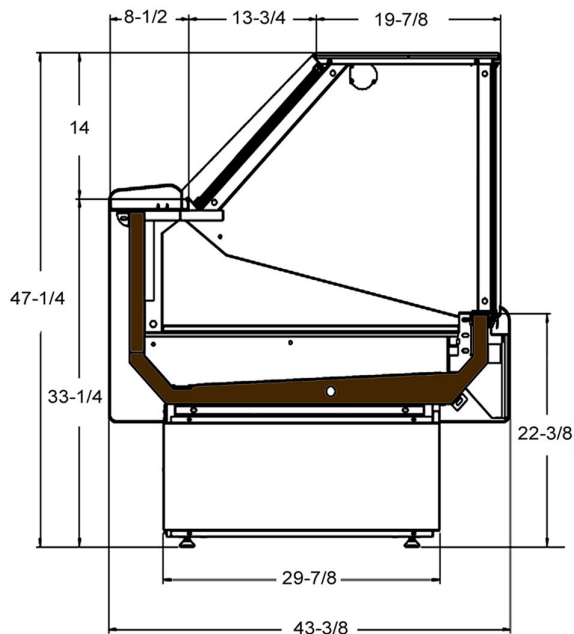
THESE CASES ARE DESIGNED TO OPERATE USING R404A REFRIGERANT

B.T.U.'S CALCULATED AT +14° F EVAP AND 90° F AMBIENT

CASES ENGINEERED TO OPERATE AT 75° F AND 55% RH

** ON REMOTE CASES - IF NO FLOOR DRAIN IS PROVIDED - AN EVAPORATIVE DRAIN PAN MUST BE ORDERED ADD 3.3 AMPS WHEN USING A PAN

O.A. DIMENSIONS INCLUDE (2) ENDS - EACH 1-1/2"



STANDARD FEATURES

- INSULATION - INJECTED FOAM
- INTERIOR - STAINLESS STEEL
- EXTERIOR - PVC COATED STEEL-SILVER
- ENDS-FOAMED BLACK POLYSTYRENE
- TILT- FORWARD TEMPERED FRONT GLASS
- CORD AND PLUG
- CASES ARE MULTIPLEXIBLE
- LED LIGHTING IN CANOPY
- REMOVABLE REAR TEMPERED GLASS SLIDING DOORS
- DEFROST AND TEMPERATURE REGULATED BY A DIGITAL CONTROLLER
- REMOVABLE EVAPORATIVE PAN FOR EASY CLEANING ON S/C ONLY
- PULL-OUT CONDENSING UNIT -ON S/C ONLY
- ANTI-CONDENSATE SYSTEM FOR FRONT GLASS
- ADJUSTABLE FEET
- ETL LISTED TO UL471 AND SANITATION CLASSIFIED TO NSF7

OPTIONAL FEATURES

- CASTERS - ADD 4-3/8" TO HEIGHT
- ADJUSTABLE STAINLESS STEEL LEGS- FROM 5-1/8" TO 7-5/8"
- OTHER COLORS AVAILABLE
- STAINLESS STEEL EXTERIOR
- EVAPORATIVE PAN FOR REMOTE CASES
- WHITE APOXY BI-LEVEL WIRE RACKS
- SCALE STAND WITH RECEPTACLE
- CUTTING BOARD
- (2) OR (3) LEVEL STEP SHAM
- KNIFE SUPPORT

WARRANTY

ONE YEAR PARTS AND LABOR WITH FOUR ADDITIONAL YEARS COMPRESSOR (PARTS ONLY)