

HYDRA KOOL



**PULL OUT
CONDENSING UNIT
ON SELF CONTAINED**



**PULL OUT EVAP PAN
FOR EASY CLEANING
ON SELF CONTAINED**



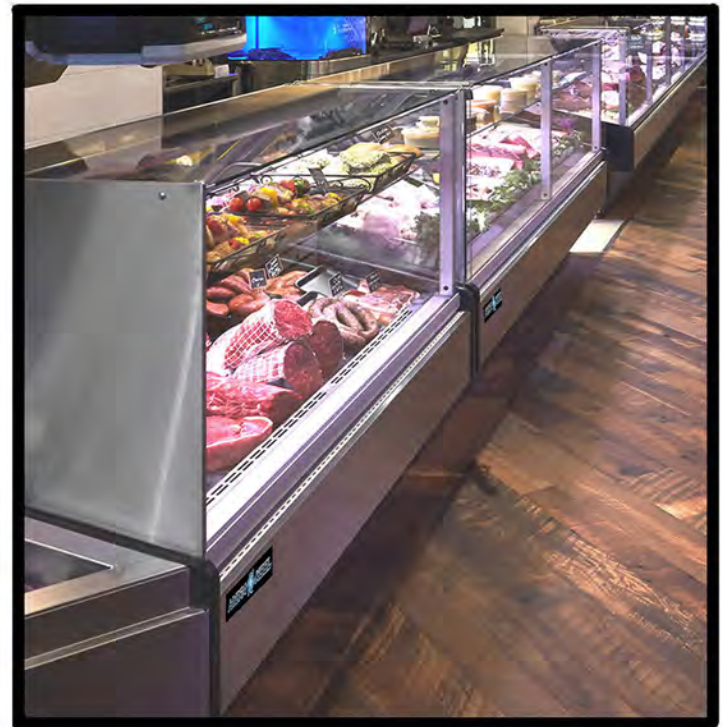
REAR STORAGE

FLAT GLASS DELI CASE

**MEDIUM TEMPERATURE
TILT OUT FLAT
TEMPERED FRONT GLASS
REAR TEMPERED
SLIDING DOORS
DESIGNED FOR DELI PRODUCTS
AND PACKAGED MEAT**

MODELS

**KPM - FG - (60,80,100) - S
KPM - FG - (60,80,100) - R**



**REMOTE AND SELF CONTAINED
404A REF - FORCED AIR REFRIGERATION**



**Tel.: 514.737.9701 / Toll Free: 888.275.4538
Fax: 514.342.3854 / Toll Free: 877.453.8832
sales@mvpgroupcorp.com www.mvpgroupcorp.com**



CURVED GLASS **HYDRA** **KOOL** DELI CASE

SELF CONTAINED	MODEL	O.A LENGTH INCHES	CASE TEMP	ELECTRICAL - 115 VOLTS					WEIGHT	NUMBER OF REAR DOORS
				COMPRESSOR		LIGHTS AND FANS	EVAP PAN	TOTAL AMPS		
				F.L.A.	L.R.A.					
	KPM-FG-60-S	60	32/40 F	8.4	41	1.6	3.3	13.3	494	1
	KPM-FG-80-S	77-1/2	32/40 F	8.4	41	1.6	3.3	13.3	606	2
	KPM-FG-100-S	101-1/8	32/40 F	9.9	49	2.1	3.3	15.6	752	3

REMOTE	MODEL	O.A LENGTH INCHES	CASE TEMP	** 115 VOLTS TOTAL AMPS	B.T.U.	WEIGHT
	KPM-FG-60-R	60	32/40 F	1.1	3260	439
	KPM-FG-80-R	77-1/2	32/40 F	1.2	4209	551
	KPM-FG-100-R	101-1/8	32/40 F	1.7	4845	697

THESE CASES ARE DESIGNED TO OPERATE USING R404A REFRIGERANT

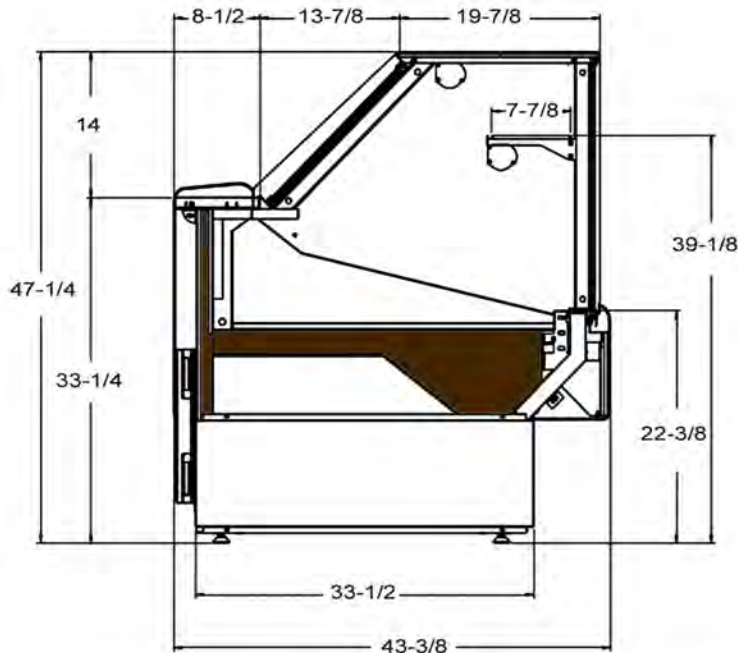
B.T.U.'S CALCULATED AT +14° F EVAP AND 90° F AMBIENT

CASES ENGINEERED TO OPERATE AT 75° F AND 55% RH

** ON REMOTE CASES - IF NO FLOOR DRAIN IS PROVIDED -

AN EVAPORATIVE DRAIN PAN MUST BE ORDERED
ADD 3.3 AMPS WHEN USING A PAN

O.A. DIMENSIONS INCLUDE (2) ENDS - EACH 1-1/2"



STANDARD FEATURES

- INSULATION - INJECTED FOAM
- INTERIOR - PVC COATED STEEL- GRAY
- EXTERIOR - PVC COATED STEEL-SILVER
- ENDS-FOAMED BLACK POLYSTYRENE
- TILT- FORWARD TEMPERED FRONT GLASS
- CORD AND PLUG
- CASES ARE MULTIPLEXIBLE
- TEMPERED GLASS NON- REFRIGERATED SHELF
- PULL-OUT CONDENSING UNIT -ON S/C ONLY
- REMOVABLE REAR TEMPERED GLASS SLIDING DOORS
- DEFROST AND TEMPERATURE REGULATED BY A DIGITAL CONTROLLER
- REMOVABLE EVAPORATIVE PAN FOR EASY CLEANING ON S/C ONLY
- LED LIGHTING IN CANOPY AND UNDER SHELF
- ANTI-CONDENSATE SYSTEM FOR FRONT GLASS
- ADJUSTABLE FEET
- ETL LISTED TO UL471 AND SANITATION CLASSIFIED TO NSF7

OPTIONAL FEATURES

- LIFT UP FRONT GLASS
- CASTERS - ADD 4-3/8" TO HEIGHT
- ADJUSTABLE STAINLESS STEEL LEGS- FROM 5-1/8" TO 7-5/8"
- OTHER COLORS AVAILABLE
- STAINLESS STEEL EXTERIOR
- STAINLESS STEEL INTERIOR
- EVAPORATIVE PAN FOR REMOTE CASES
- WHITE APOXY BI-LEVEL WIRE RACKS
- SCALE STAND WITH RECEPTACLE
- CUTTING BOARD
- (2) OR (3) LEVEL STEP SHAM
- KNIFE SUPPORT

WARRANTY

ONE YEAR PARTS AND LABOR WITH FOUR ADDITIONAL YEARS COMPRESSOR (PARTS ONLY)