

Single Door Series
Refrigerator / Freezer
Top Mount Compressor

KTSR-1 / KTSE-1



| | |
|---------------|-------|
| Project name: | |
| Location: | |
| Item: | Qty : |
| Model: | |

KTSR-1 / KTSE-1

Durable Design

- Stainless steel interior & exterior
- 3 height adjustable, heavy-duty, PE coated wire shelves
- Incandescent interior lighting
- Digital temperature display
- Door lock with key
- Simple plug-in installation
- Field reversible door

Energy Efficient

- Self-closing door with stay open feature
- Seals tight with magnetic vinyl gasket
- Open door alert beeps when door is open for 5 minutes
- Foamed-in place high-density polyurethane insulated body, CFC-Free
- Large evaporator & condenser for quick cooling and greater efficiency

Superior Quality

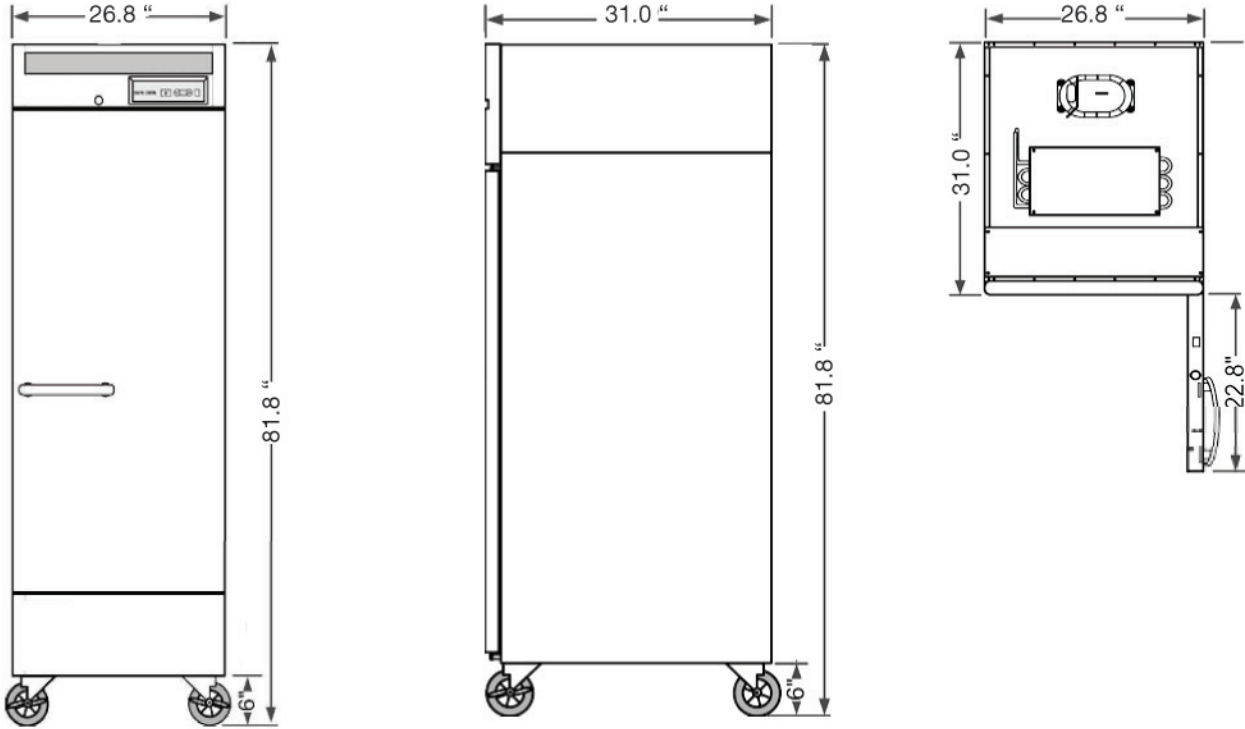
- Designed for mobility, reliability & efficiency in commercial kitchens
- Certified with ETL & Energy Star guaranteeing quality standards and energy efficiency
- 4" swivel castors with 2 front brakes
- Easy grip handle
- Entirely self-contained system
- Automatic defrost system
- Digitally controlled temperature system
- Accomodates full-size bun sheet pans
- Easily adjustable shelf height
- Internal storage capacity is 20.5 cu.ft.
- NEMA 5-15 plug
- Compressor : Refrigerator - 1/3 HP / Freezer - 1/2 HP
- Holding temperature : Refrigerator 33°F to 39°F / Freezer 5°F to -9.4°F



Tel.: 514.737.9701 / Toll Free: 888.275.4538
Fax: 514.342.3854 / Toll Free: 877.453.8832
sales@mvpgroupcorp.com www.mvpgroupcorp.com



KTSR-1 / KTSF-1



| Model Number | Description | Interior/Exterior Material | Number of Doors | Number of Shelves | Capacity (cubic feet) | Exterior Dimensions (WxDxH in.) | Compressor Size | Voltage/Frequency | Amps | Working Temp. | Refrigerant | Ship Weight (lbs.) |
|---------------|------------------------------------|----------------------------|-----------------|-------------------|-----------------------|---------------------------------|-----------------|-------------------|------|---------------|-------------|--------------------|
| KTSR-1 | Top Mount Single Door Refrigerator | Stainless Steel | 1 | 3 | 20.5 | 26.8 x 31.0 x 81.8 | 1/3 | 115V 60 Hz | 5.0 | 33°F to 39°F | R134a | 315 |
| KTSF-1 | Top Mount Single Door Freezer | Stainless Steel | 1 | 3 | 20.5 | 26.8 x 31.0 x 81.8 | 1/2 | 115V 60 Hz | 8.0 | 5°F to -9.4°F | R404a | 328 |

These units are designed for maximum performance in an air-conditioned area of 75°F ambient temperature and 55% relative humidity. There must be adequate ventilation at the top, sides & rear of the unit for proper operation.

Warranty : 18 months parts & labor. Additional 42 months on compressor (part only)



KOOL-IT is a registered trade mark of MVP Group.
Specifications subject to change without notice.



Tel.: 514.737.9701 / Toll Free: 888.275.4538
 Fax: 514.342.3854 / Toll Free: 877.453.8832
 sales@mvpgroupcorp.com www.mvpgroupcorp.com