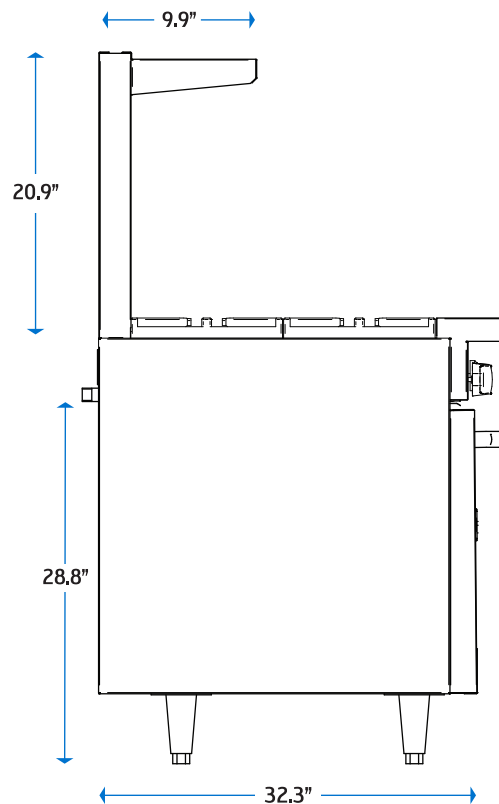
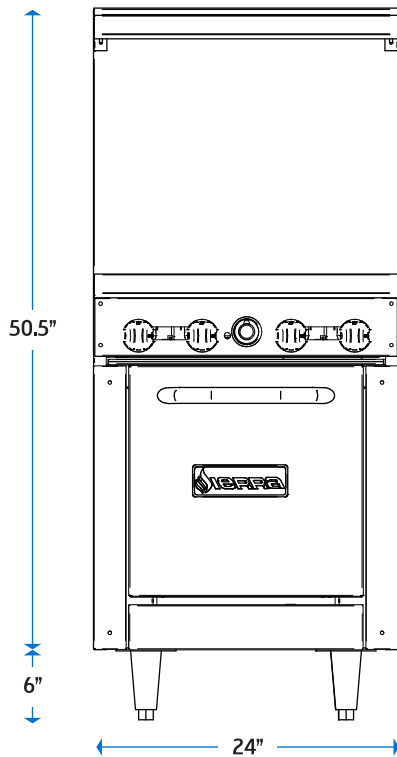
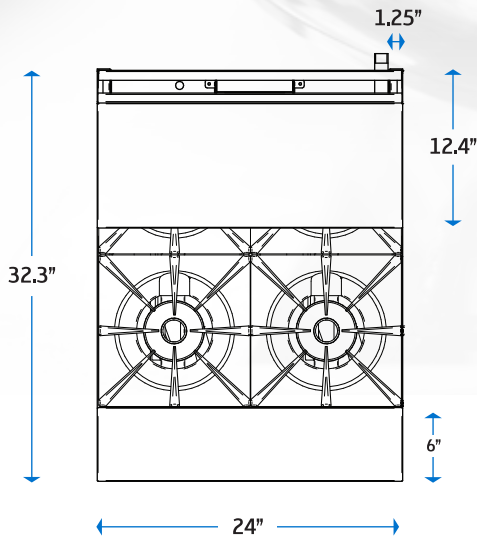


## SPECIFICATIONS

|                           |                           |
|---------------------------|---------------------------|
| MODEL NUMBER              | SR-4-24                   |
| EXTERNAL DIMENSION (INCH) | 24" X 32.3" X 56.5"       |
| NUMBER OF BURNERS         | 4 TOP & 1 "U" BURNER OVEN |
| BTU (EACH TOP BURNERS)    | 30,000                    |
| BTU (OVEN)                | 32,000                    |
| TOTAL BTU                 | 152,000                   |
| OVEN CAPACITY             | 4.6 CU. FT.               |
| NET WEIGHT                | 261 LBS                   |
| SHIPPING WEIGHT           | 309 LBS                   |



**Warranty:** 12 months parts & labor.

**Gas Connection:** 3/4" NPT on the right hand rear of the appliance. The pressure regulator (supplied) is to be connected here by the installer.

**Gas pressure:** 5" W.C. - Natural Gas | 10" W.C. - Propane

**Combustible Clearances:** For use in non-combustible locations | Non-combustible Clearances: 0 inches sides, 0 inches rear  
Specify type of gas and altitude, if over 2,000 feet, when ordering.

**SIERRA RANGE** is a registered trademark of **MVP Group**.

Due to continuing product development, to ensure best possible performance, the specifications are subject to change without prior notice.





PROJECT NAME: \_\_\_\_\_

LOCATION: \_\_\_\_\_

ITEM: \_\_\_\_\_ QTY: \_\_\_\_\_

MODEL: \_\_\_\_\_

# SR-4-24

## 4-BURNER RANGE WITH OVEN

The Sierra Ranges feature an all-stainless steel interior and exterior construction, except for the porcelain oven deck and oven door liner which allows for the quickest and easiest clean-ups.

The SR-2-24 includes 4 heavy duty cast iron burners on top and 1 Oven "U" type burner, to fit every operation. The SR-4-24 has 4 powerful top burners, each with a capacity of 30,000 BTU's and a 32,000 BTU oven burner.

Four durable black plastic locking casters are optional.



## STANDARD FEATURES

- 🔥 All non-ferrous stainless steel construction: exterior, front, sides, landing ledge, valve controls and kick plate
- 🔥 Porcelainized door lining and inner bottom deck for ease of cleaning and maintenance.
- 🔥 Features a full 6" landing edge for increased plate stability
- 🔥 Stainless steel non-clog standing pilot for each burner with instant ignition
- 🔥 Heavy gauge welded front frame
- 🔥 Optimum heat distribution with heavy duty angled radiants
- 🔥 Heavy duty 12" x 12" cast iron top grates, removable for easy cleaning, industry standard size
- 🔥 Cast in grease trough allows excess fat to flow minimizing excessive flare-up
- 🔥 6" stainless steel legs with adjustable steel feet
- 🔥 The SR-4-24 comes shipped with Natural Gas orifices pre-installed. An additional set of L.P Gas orifices are included