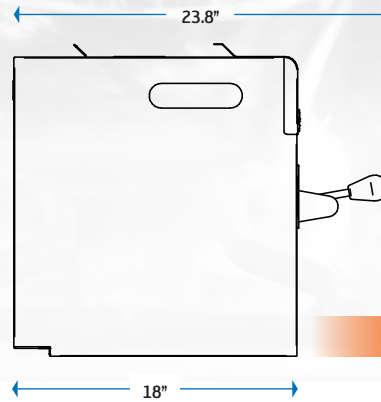
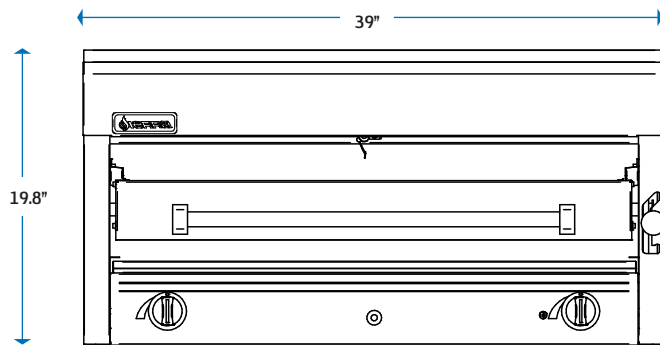
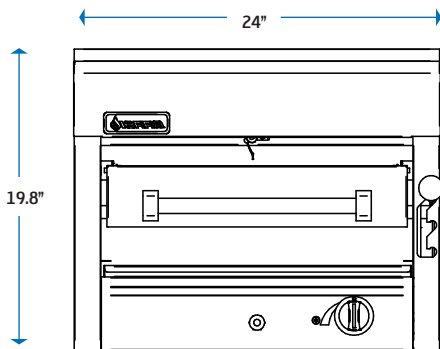
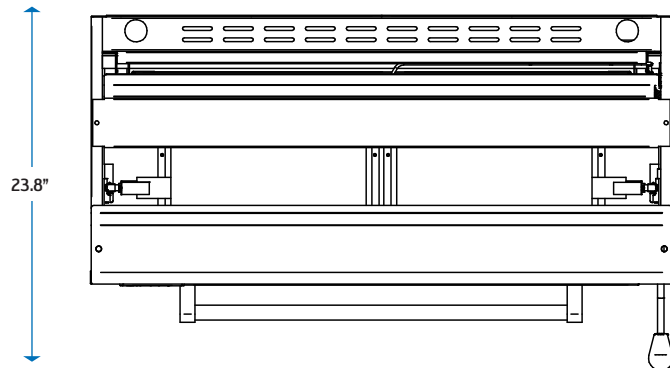
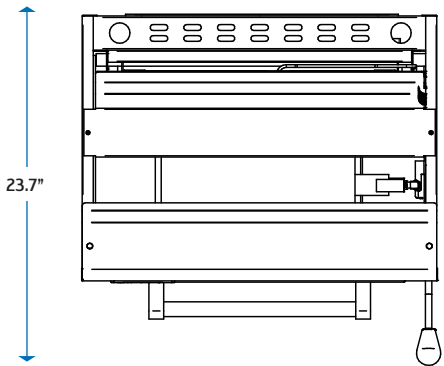


SRS-24



SRS-36



SPECIFICATIONS

MODEL NUMBER	EXTERNAL DIMENSION (INCH)	NUMBER OF BURNERS	BTU'S PER BURNER	TOTAL BTU	SHIPPING WEIGHT	NET WEIGHT
SRS-24	24" X 23.7" X 19.8"	1	20,000	20,000	99 LBS	82 LBS
SRS-36	39" X 23.8" X 19.8"	2	20,000	40,000	135 LBS	131 LBS



Warranty: 12 months parts & labor.

SIERRA RANGE is a registered trademark of MVP Group.
Specifications subject to change without notice.



PROJECT NAME: _____

LOCATION: _____

ITEM: _____ QTY: _____

MODEL: _____

SRS SERIES SALAMANDERS

Sierra's SRS series are commercial, infrared salamander broilers with gas power at total 20,000 or 40,000 BTU. The unit has a fully stainless steel construction, making the broiler durable and preventing corrosion. Each burner is individually controlled, and has ignition by standing pilot. Comes equipped with a chrome plated rack with four adjustable positions.



SRS-36

STANDARD FEATURES

- FULLY STAINLESS STEEL EXTERIOR.
- GAS PRESSURE REGULATOR.
- TWO STEEL WIRE MESH INFRA-RED BURNERS, EACH INDIVIDUALLY CONTROLLED.
- IGNITION BY STANDING PILOT FOR EACH BURNER.
- 365 SQ. INCHES OF RACK SPACE.
- CHROME PLATED RACK.
- RACK HAS FOUR ADJUSTABLE POSITIONS.
- RACK CARRIAGE ASSEMBLY ROLLS OUT FOR EASE OF LOADING AND UNLOADING.
- HEAVY DUTY SPRINGS COUNTER BALANCE THE ASSEMBLY.
- FULL WIDTH GREASE DEFLECTOR CHANNELS HOT DRIPPINGS TO A LARGE CAPACITY DRIP PAN.
- DRIP PAN AND RACK CARRIAGE ASSEMBLY ARE EASILY REMOVED FOR CLEANING.