

Only from NEMCO!



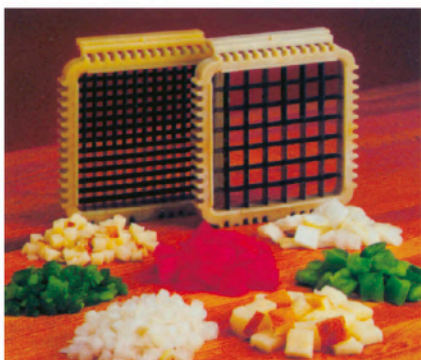
Precision dicing *FAST!*





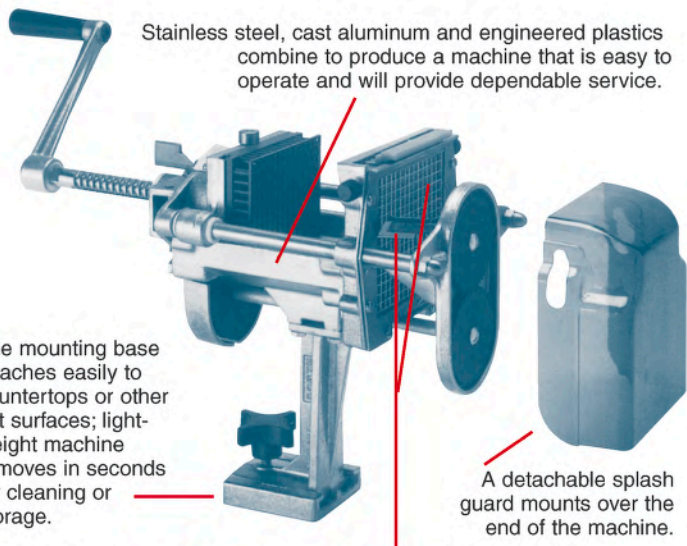
Count on the Easy Dicer to Save time and money!

- **Cuts onions five times faster than by hand.**
Dice 100 lbs. of medium to large size onions (up to 3-1/2" diameter) in just 45-50 minutes! Cutting the same amount of onions by hand would take you five hours or more and require costlier jumbo onions.
- **Increased product yield** — cutting produce to a consistent, uniform size increases your yield over dicing by hand.
- **Firm, crisp, precision-cut produce** that holds longer, tastes fresher and looks better! Juice is retained, no mashing, no mush!
- **Easy to operate!**



Shown: grids for Model N55100E which dices 1/4"x1/4"x1/4" cubes and Model N55100E-1 which dices 1/2"x1/2"x1/4" shapes. The 1/4" grid and the 1/2" grid are also available separately and are easily interchangeable. Model N55100E-2, which dices 1/4"x1/4"x1/8", is available by special order. All blades are razor sharp stainless steel.

DISTRIBUTED BY:



Stainless steel, cast aluminum and engineered plastics combine to produce a machine that is easy to operate and will provide dependable service.

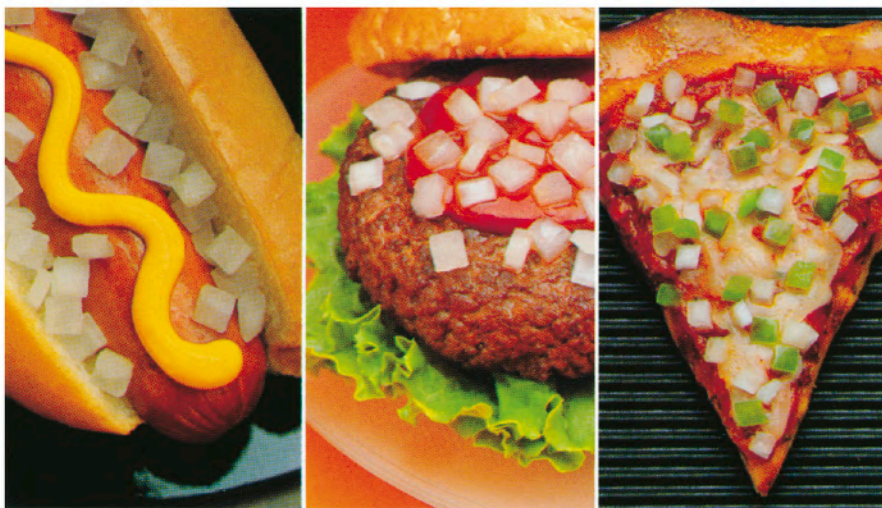
The mounting base attaches easily to countertops or other flat surfaces; light-weight machine removes in seconds for cleaning or storage.

A detachable splash guard mounts over the end of the machine.

Diced product tastes fresher, holds longer and looks better due to the Easy Dicer's **unique double slicing action**. Produce is cut twice, once as it passes through the 1/4" or 1/2" slicing grid and then again by the rotating razor sharp blade. This unique "No tears" system locks in flavor, retains juice, increases product yield and gives you mounds of great looking, precision-diced fresh produce in seconds.

The Easy Dicer is ideal for dicing tomatoes, onions, potatoes, green peppers and more!

Prepare chowders, soups, stews, hash-browns, plus toppings for pizza, burgers, tacos, salads and other favorites!



Easy Dicer Specifications:

Overall length:.....15"
 Overall height:13 1/8"
 Overall Width:7 7/8"
 Shipping Weight:12 lbs



NEMCO Food Equipment, LTD.
 301 Meuse Argonne
 P.O. Box 305
 Hicksville, OH 43526
 (800) 782-6761
 Phone (419) 542-7751
 FAX (419) 542-6690
www.nemcofoodequip.com

Replacement parts available quickly through our Nemco 24-hour Zip Program.