



JOB:
ITEM:
QTY:



SUPER DOLLIES

APPLICATION:

Built to handle heavy loads, these dollies make a quick and convenient aisle display as well as a heavy-duty mobile storage unit. Unique compact design minimizes wasted space and is easily maneuvered down narrow aisles.

MATERIAL:

Framework is constructed out of 1 1/2"x 1 3/4"x.700" wall tubing. Laterals are constructed of 1 1/2"x1 1/2"x.070" wall tubing.

CASTERS:

Model #1181 comes equipped with four 6" platform type casters, two swivel and two rigid. Model #1182 comes equipped with four 5" platform type casters, two swivel and two rigid.

GUARANTEE:

These dollies carry a **Lifetime Guarantee** against rust and corrosion and also carry a **Five-Year Guarantee** against workmanship and material defects.

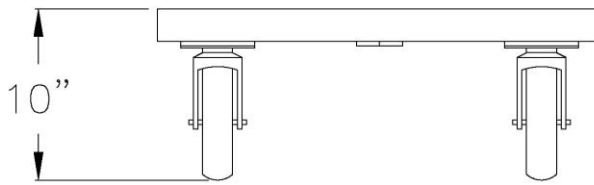
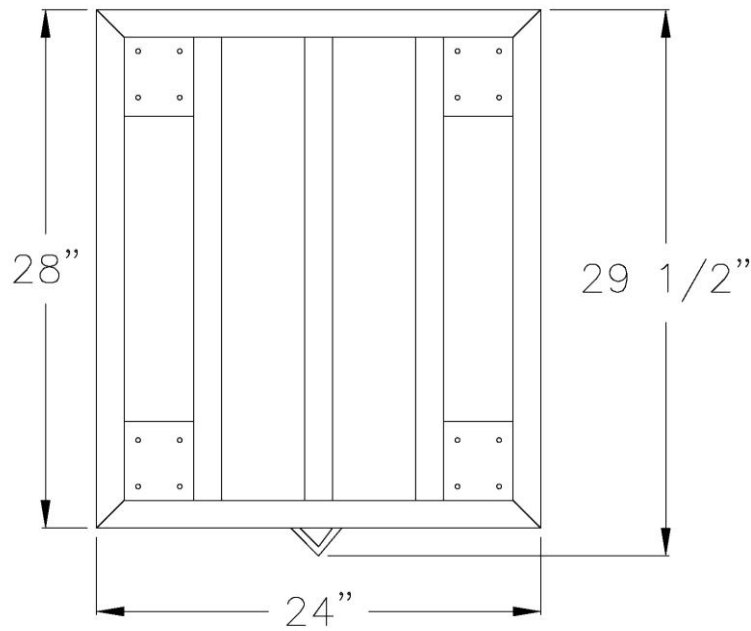


Model #1181



Phone:800-255-0104
Fax: 877-877-7687
www.newageindustrial.com
sales@newageindustrial.com

New Age Industrial reserves the right to modify or make changes at any time without notice to materials and specifications.



Model #1181

| Model No. | Size-W | Size-H | Size-D | Wheel Size | Wt. Cap. |
|-----------|--------|--------|--------|------------|----------|
| 1181 | 24" | 10" | 28" | 6" | 2800# |
| 1182 | 24" | 8" | 28" | 5" | 1100# |



Phone: 800-255-0104
 Fax: 877-877-7687
www.newageindustrial.com
sales@newageindustrial.com

New Age Industrial reserves the right to modify or make changes at any time without notice to materials and specifications.