



JOB:
ITEM:
QTY:



BOAT RACKS

APPLICATION:

These lightweight designed boat racks are designed to hold food boat trays and other food preparation materials.

MATERIAL:

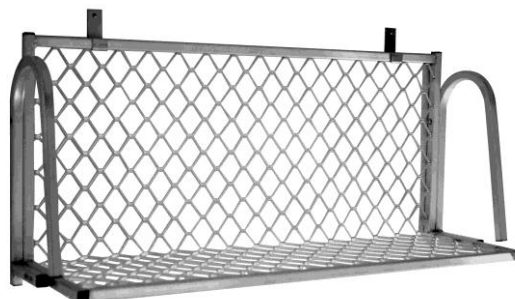
Framework is constructed out of 1"x1"x.070" wall tubing. The back and base is constructed out of aluminum Ampli-Mesh.

GUARANTEE:

These racks carry a **Lifetime Guarantee** against rust and corrosion and also carry a **Five-Year Guarantee** against workmanship and material defects.



Ceiling Mount "L"

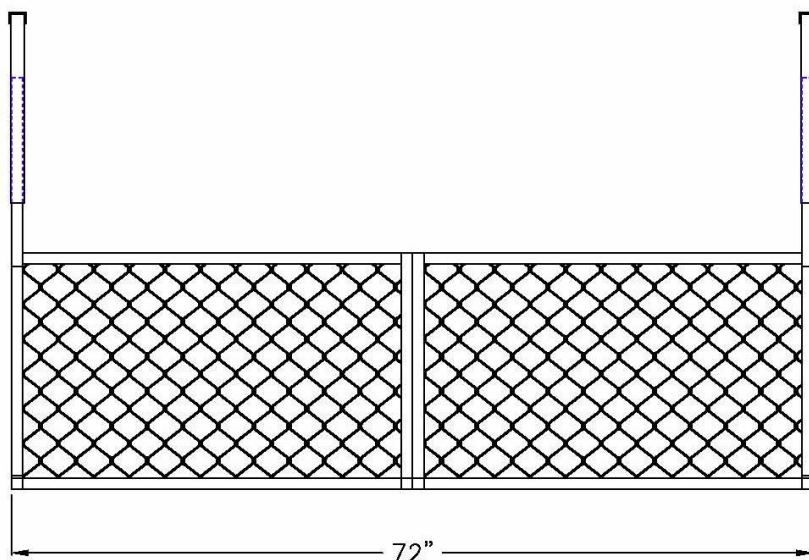
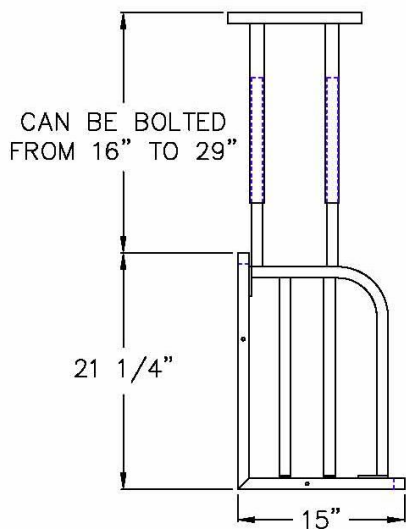


Wall Mount "L"



Phone:800-255-0104
Fax: 877-877-7687
www.newageindustrial.com
sales@newageindustrial.com

New Age Industrial reserves the right to modify or make changes at any time without notice to materials and specifications.



Model #1373CL

| Model No. | Size-D | Size-L |
|---|--------|--------|
| Table Mount Boat Rack | | |
| 120T | 15" | 36" |
| 1371T | 15" | 48" |
| 1372T | 15" | 60" |
| 1373T | 15" | 72" |
| 1374T | 15" | 96" |
| 1375T | 15" | 120" |
| Wall Mount Boat Rack | | |
| 120W | 15" | 36" |
| 1371W | 15" | 48" |
| 1372W | 15" | 60" |
| 1373W | 15" | 72" |
| 1374W | 15" | 96" |
| 1375W | 15" | 120" |
| Ceiling Mount Boat Rack-"L" Type | | |
| 1373CL | 15" | 72" |
| 1374CL | 15" | 96" |
| Ceiling Mount Boat Rack-"T" Type | | |
| 1373CT | 15" | 72" |
| 1374CT | 15" | 96" |



Phone:800-255-0104
 Fax: 877-877-7687
www.newageindustrial.com
sales@newageindustrial.com

New Age Industrial reserves the right to modify or make changes at any time without notice to materials and specifications.