



JOB:
ITEM:
QTY:



UNI-T-TRUCK

APPLICATION:

These trucks are designed for heavy loads up to 2000lbs. Ideal for use in coolers, freezers, and dry storage.

MATERIAL:

Framework is constructed mostly of 1 1/2"x1 1/2"x.070" wall tubing. Base is constructed of 1 1/2"x2 3/4"x.070" wall tubing. The shelves are constructed of 1 1/4"x2 1/4"x.100" wall T-Bar.

CASTERS:

Model #1430 comes with four 6"x2" platform type casters, two swivel and two rigid. The model #1431 comes with four 8"x2" platform type casters, two swivel and two rigid.

GUARANTEE:

These trucks carry a **Lifetime Guarantee** against rust and corrosion and also carry a **Five-Year Guarantee** against workmanship and material defects.

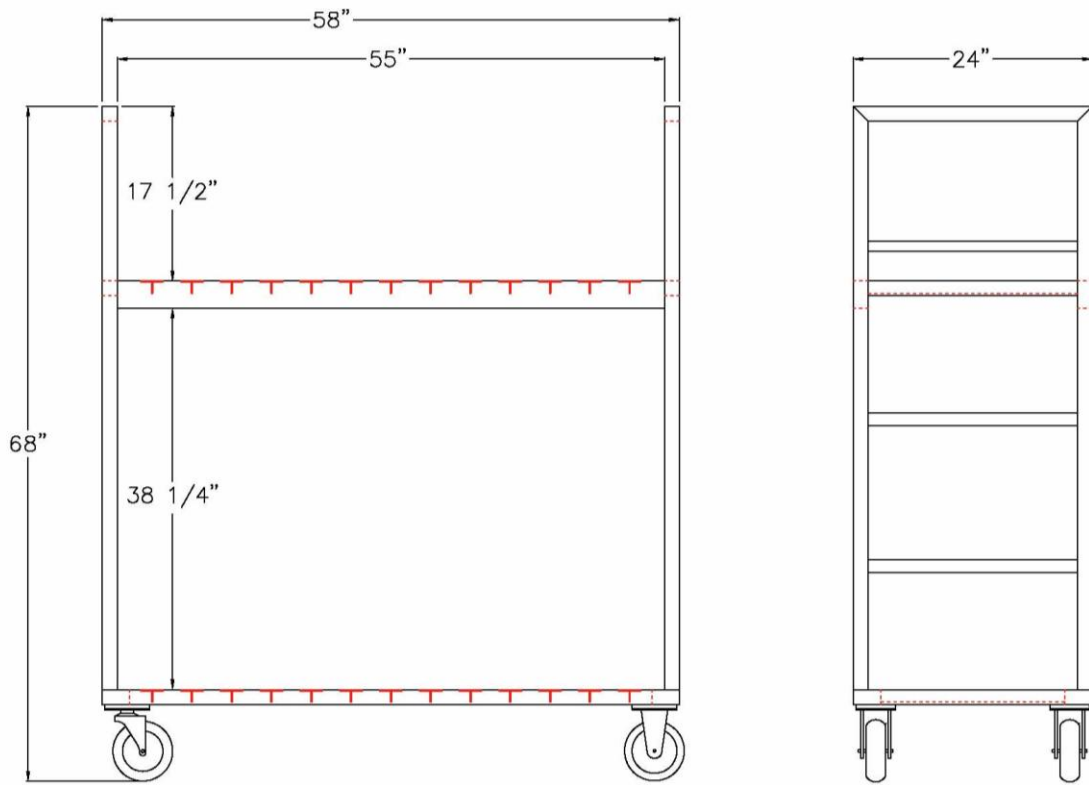


Model #1430



Phone:800-255-0104
Fax: 877-877-7687
www.newageindustrial.com
sales@newageindustrial.com

New Age Industrial reserves the right to modify or make changes at any time without notice to materials and specifications.



Model #1430

Model No.	Size-W	Size-H	Size-D	Wheel Size
1430	24"	68"	58"	6"
1431	27"	70"	58"	8"



Phone: 800-255-0104
 Fax: 877-877-7687
www.newageindustrial.com
sales@newageindustrial.com

New Age Industrial reserves the right to modify or make changes at any time without notice to materials and specifications.