



JOB:
ITEM:
QTY:



UNIVERSAL STEPPED ANGLE RACK

APPLICATION:

Heavy-duty utility racks for the transport and storage of product on a large variety of pans. All welded unit, angle runners are not adjustable.

MATERIAL:

Framework consists of 1 1/4" x 1 1/2" x .070" wall tubing. Angle runners are a stepped type, 2" x 6 3/16" x .100 thick.

CASTERS:

These racks come equipped with four 5" platform type swivel casters for easy maneuverability.

GUARANTEE:

These racks carry a **Lifetime-Guarantee** against rust and corrosion and also a **Five-year Guarantee** against material defects and workmanship.

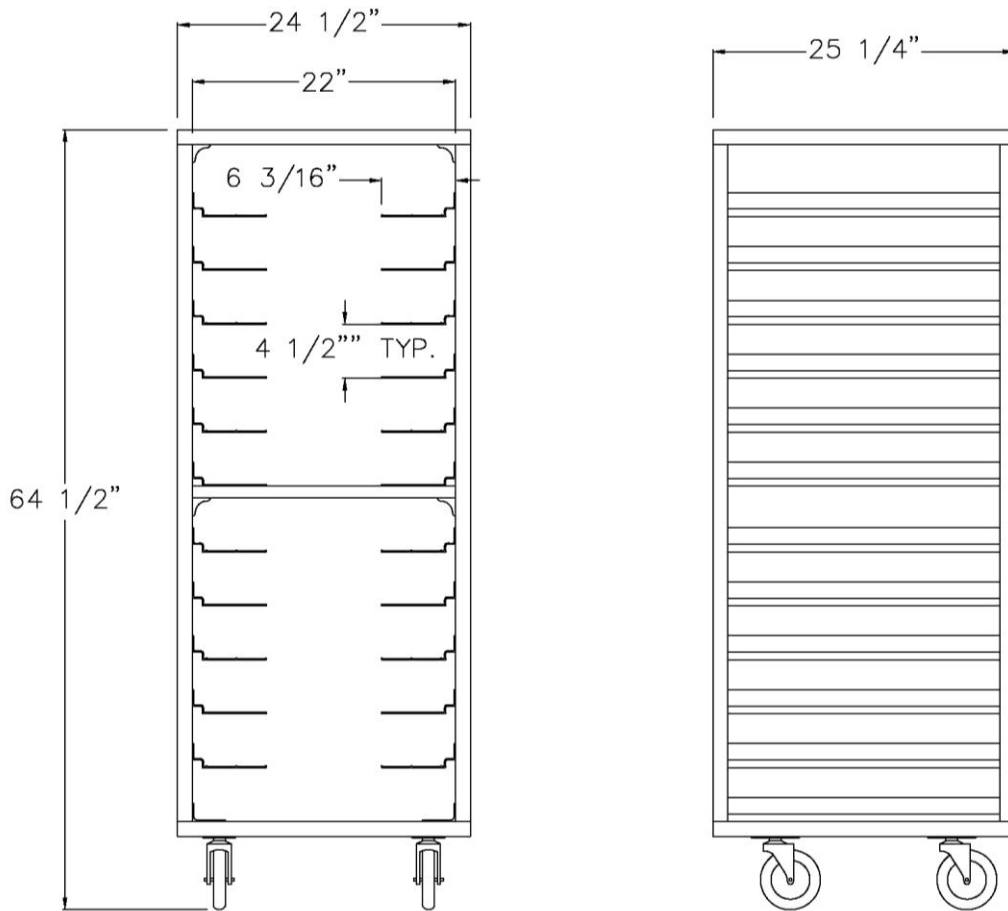


Model #1635



Phone: 800-255-0104
Fax: 877-877-7687
www.newageindustrial.com
sales@newageindustrial.com

New Age Industrial reserves the right to modify or make changes at any time without notice to materials and specifications.



Model #1635

Model No.	Size-W	Size-H	Size-D	Runner Spacing	Pan Slides
UNIVERSAL STEPPED ANGLE RACKS					
1640	24 1/2"	70 1/8"	26"	4 1/2"	13 PAIR
1642	24 1/2"	70 1/8"	26"	3"	20 PAIR
UNIVERSAL ROLL-IN STEPPED ANGLE RACKS					
1635	24 1/2"	64 1/2"	25 1/4"	4 1/2"	12 PAIR
1637	24 1/2"	64 1/2"	24 1/4"	3"	18 PAIR

Pan Sizes: 10" x 20" Roast & Bake Pans, 20" x 22" Roast & Bake Pans, 18" x 26" Roasting Pans, 18" x 26" Bun Pans, 18" x 13" Bun Pans, 12" x 20" Steam Table Pans, 20 3/4" x 25 1/2" European Std. Gastro-Norm Pans, 15" x 20" Service Tray, 14" x 18" Service Tray, 20" x 20" Cup & Glass Racks



Phone: 800-255-0104
 Fax: 877-877-7687
www.newageindustrial.com
sales@newageindustrial.com

New Age Industrial reserves the right to modify or make changes at any time without notice to materials and specifications.