



JOB:  
ITEM:  
QTY:

# CORRECTIONAL DUTY TRAY DRYING RACK

## APPLICATION:

These racks conveniently stack pans and trays for drying without contact, allowing air to circulate freely for faster drying and to reduce pan-to-pan contamination.

## MATERIAL:

Framework is constructed out of 1 1/2"x 1 3/4"x.070" wall tubing. Angle tray guides are .090" thick and are spaced on 1 1/2" and 2 3/4" centers.

**Model #96710**



## CASTERS:

These racks come equipped with four 6"x2" platform type swivel casters.

## GUARANTEE:

These racks carry a **Lifetime Guarantee** against rust and corrosion and a **Five-Year Guarantee** against workmanship and material defects.

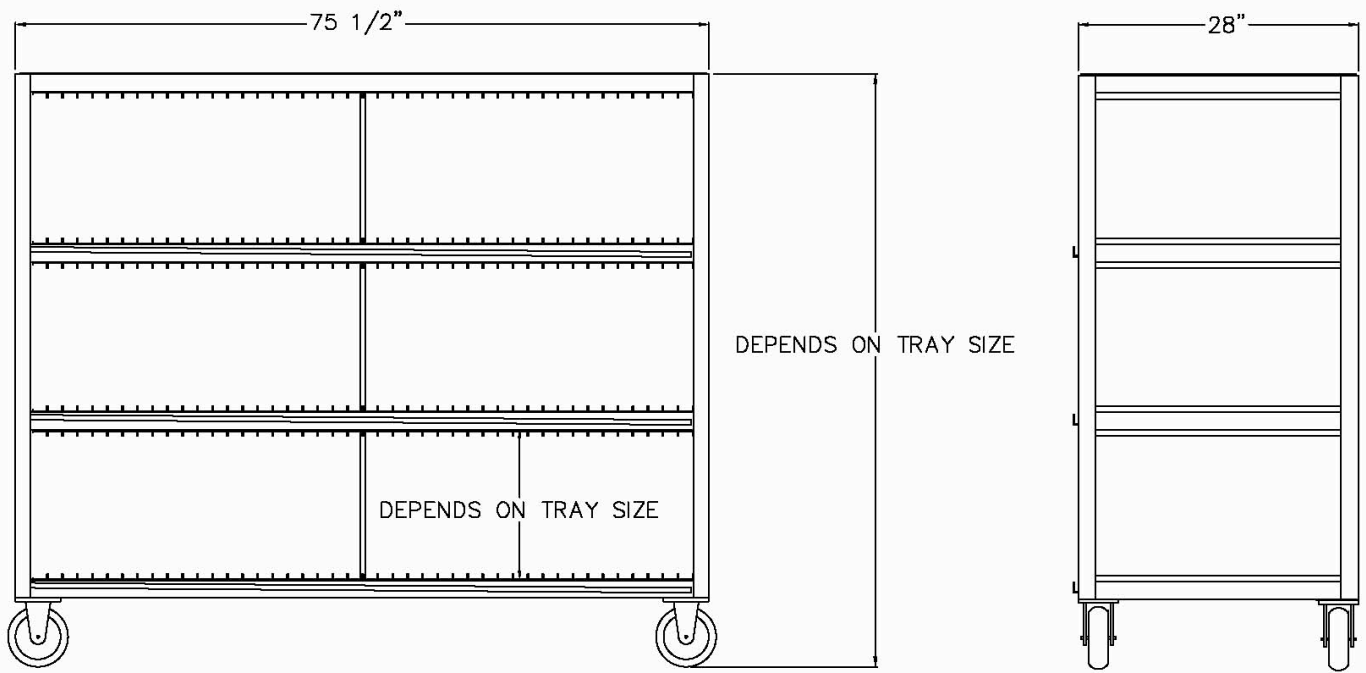


**Model #99452**



Phone:800-255-0104  
Fax: 877-877-7687  
www.newageindustrial.com  
sales@newageindustrial.com

New Age Industrial reserves the right to modify or make changes at any time without notice to materials and specifications.



**Model #96710**

| Model No. | Size-W  | Size-H | Size-D  | Tray Levels | Guide Clearance | Tray Cap. |
|-----------|---------|--------|---------|-------------|-----------------|-----------|
| 96704     | 28 1/2" | *66"   | 58 1/4" | 3           | 2.65"           | 120       |
| 96705     | 28 1/2" | *82"   | 58 1/4" | 4           | 2.65"           | 160       |
| 96706     | 28 1/2" | *66"   | 69 1/4" | 3           | 2.65"           | 144       |
| 96707     | 28 1/2" | *82"   | 69 1/4" | 4           | 2.65"           | 192       |
| 96708     | 28 1/2" | *66"   | 63 1/2" | 3           | 1.4"            | 240       |
| 98709     | 28 1/2" | *82"   | 63 1/2" | 4           | 1.4"            | 320       |
| 96710     | 28 1/2" | *66"   | 75 1/2" | 3           | 1.4"            | 288       |
| 96711     | 28 1/2" | *82"   | 75 1/2" | 4           | 1.4"            | 325       |

**NOTE:** Tray Capacity is based on two compartmented or insulated trays per slot.

\* Height is based on tray size.

| Model No. | Size-W | Size-H   | Size-D | Tray Levels | Guide Clearance | Tray Cap. |
|-----------|--------|----------|--------|-------------|-----------------|-----------|
| 99452     | 28"    | 64 7/16" | 60"    | 4           | 2 3/4"          | 300       |

\*99452 is designed to hold Flex Trays



Phone: 800-255-0104  
 Fax: 877-877-7687  
[www.newageindustrial.com](http://www.newageindustrial.com)  
[sales@newageindustrial.com](mailto:sales@newageindustrial.com)



New Age Industrial reserves the right to modify or make changes at any time without notice to materials and specifications.