



JOB:
ITEM:
QTY:



STACKING DUNNAGE RACKS

APPLICATION:

These dunnage racks keep product organized and off the floor. When they are not in use they are designed to be stacked to maximize the storage space.

MATERIAL:

Framework is constructed out of 1 1/2"x1 1/2"x.070" wall tubing. Legs are constructed out of 2"x2"x.125" wall angle.

GUARANTEE:

These racks carry a **Lifetime Guarantee** against rust and corrosion and also carry a **Five-Year Guarantee** against workmanship and material defect.

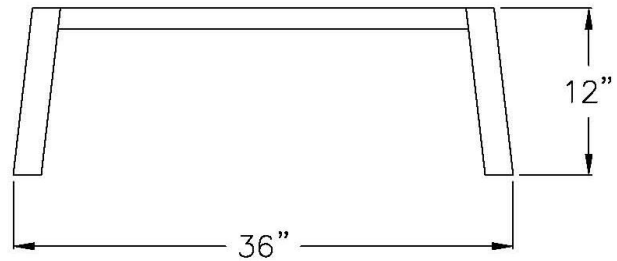
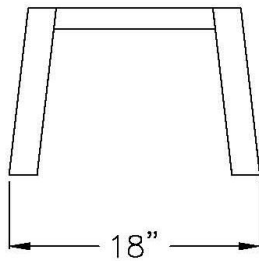
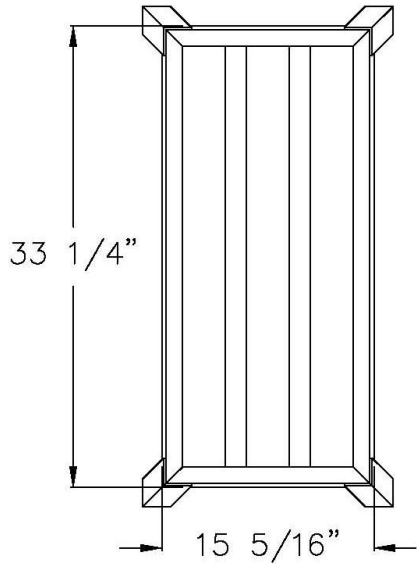


Model #97169



Phone: 800-255-0104
Fax: 877-877-7687
www.newageindustrial.com
sales@newageindustrial.com

New Age Industrial reserves the right to modify or make changes at any time without notice to materials and specifications.



Model #97169

Model No.	Size-W	Size-H	Size-D	Wt. Cap.	No. of Lat.
97168	18"	12"	24"	3200#	4
97169	18"	12"	36"	3200#	4
97170	18"	12"	48"	2700#	4
97171	20"	12"	24"	3200#	4
97172	20"	12"	36"	3200#	4
97173	20"	12"	48"	2700#	4
97174	24"	12"	24"	3200#	5
97175	24"	12"	36"	3200#	5
97176	24"	12"	48"	2700#	5



Phone: 800-255-0104
 Fax: 877-877-7687
www.newageindustrial.com
sales@newageindustrial.com

New Age Industrial reserves the right to modify or make changes at any time without notice to materials and specifications.