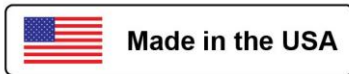




JOB:  
ITEM:  
QTY:



## 98716- MIXING BOWL DOLLY

### APPLICATION:

This dolly is designed to hold an 80-quart mixing bowl. Designed at a working height to minimize uncomfortable working positions.

### MATERIAL:

Framework is constructed out of 1"x1"x.070" wall tubing. The ring is constructed out of 1/4"x3" strap.

### CASTERS:

This dolly comes equipped with four 5" stem type swivel casters.

### GUARANTEE:

This dolly carries a **Lifetime Guarantee** against rust and corrosion and also carries a **Five-Year Guarantee** against workmanship and material defects.

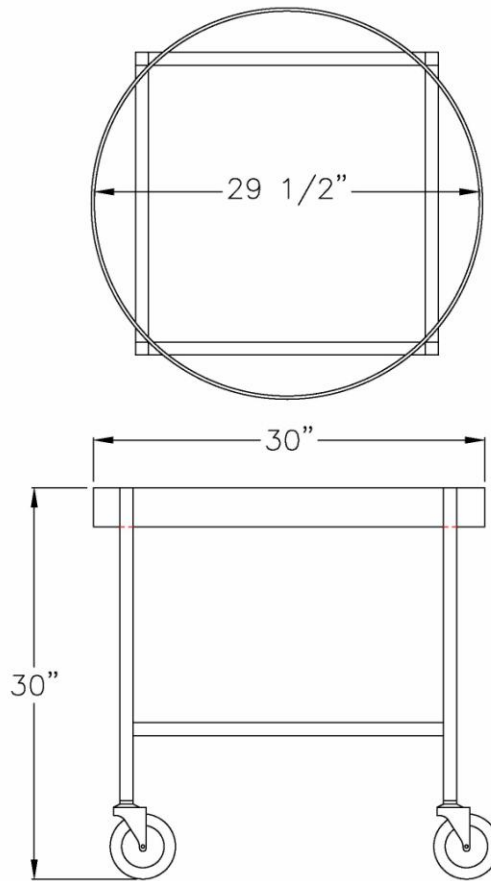


**Model #98716**



Phone: 800-255-0104  
Fax: 877-877-7687  
[www.newageindustrial.com](http://www.newageindustrial.com)  
[sales@newageindustrial.com](mailto:sales@newageindustrial.com)

New Age Industrial reserves the right to modify or make changes at any time without notice to materials and specifications.



**Model #98716**

Model No.	Size-W	Size-H	Size-D	Ring Dia.
98716	30"	30"	30"	29 1/2" I.D.



Phone: 800-255-0104  
 Fax: 877-877-7687  
[www.newageindustrial.com](http://www.newageindustrial.com)  
[sales@newageindustrial.com](mailto:sales@newageindustrial.com)

New Age Industrial reserves the right to modify or make changes at any time without notice to materials and specifications.