



JOB:
ITEM:
QTY:



98399-BEVERAGE CONTAINER STORAGE/TRANSPORT

APPLICATION:

This cart is specially designed to hold and transport six of the Cambro 1000LCD, ten gallon, beverage containers.

MATERIAL:

Framework is constructed out of 1 1/2"x1 3/4"x.070" wall tubing. The shelves are covered with .100" aluminum tread plate.

CASTERS:

This cabinet comes equipped with four 6"x2" platform type swivel casters, two with brake.

GUARANTEE:

This cart carries a **Lifetime Guarantee** against rust and corrosion and also carries a **Five-Year Guarantee** against workmanship and material defects.

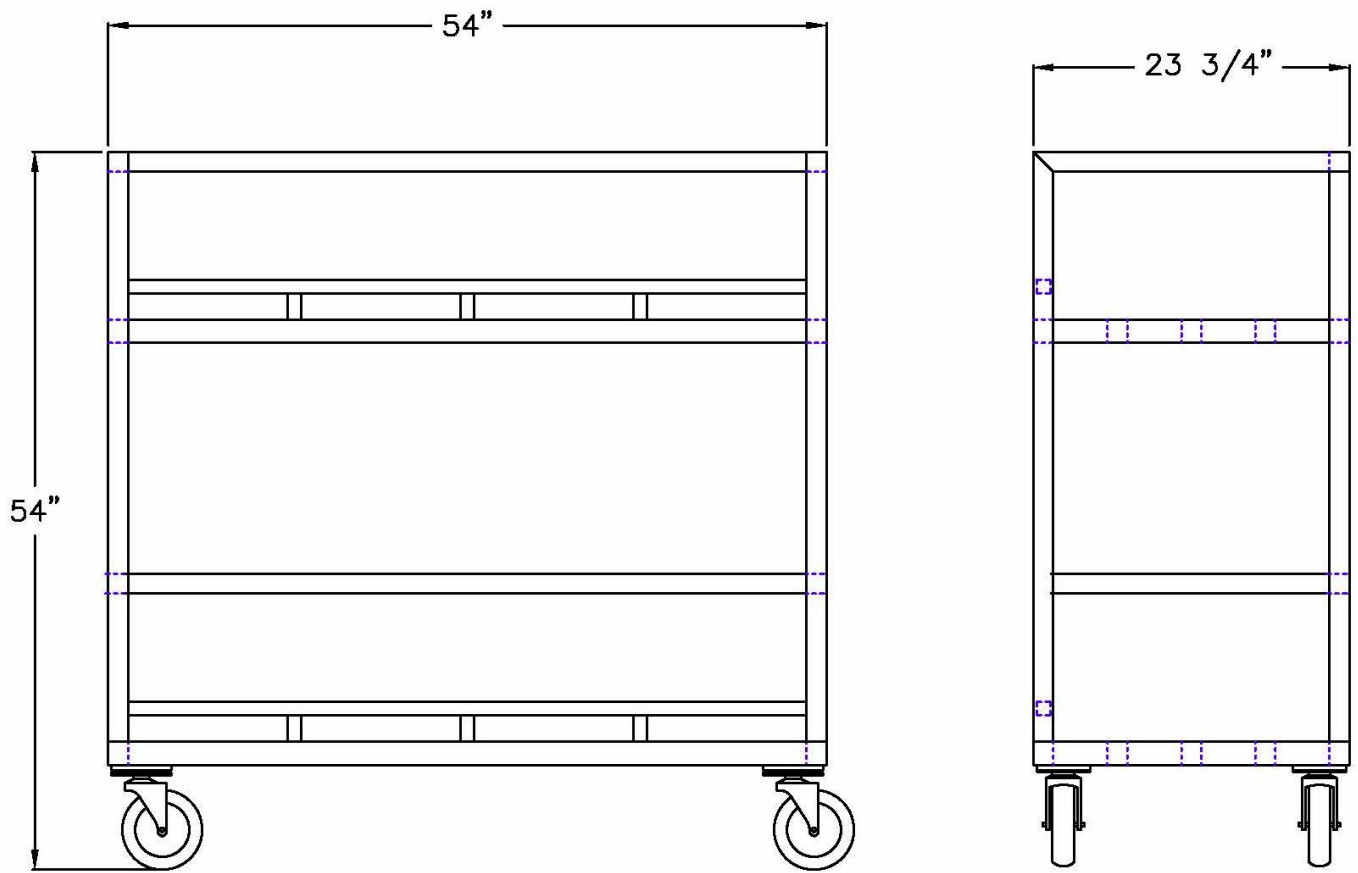


Model #98399



Phone: 800-255-0104
Fax: 877-877-7687
www.newageindustrial.com
sales@newageindustrial.com

New Age Industrial reserves the right to modify or make changes at any time without notice to materials and specifications.



Model #98399

Model No.	Size-W	Size-H	Size-D	Container Cap
98399	54"	54"	23 3/4"	6
99400	39"	54"	23 3/4"	4



Phone: 800-255-0104
 Fax: 877-877-7687
www.newageindustrial.com
sales@newageindustrial.com

New Age Industrial reserves the right to modify or make changes at any time without notice to materials and specifications.