



JOB:
ITEM:
QTY:



RAC LINE-ADJUSTABLE T-BAR SHELF

APPLICATION:

Built to accommodate heavier product and designed for use in all environments including freezers, coolers, as well as packaging and storage areas.

MATERIAL:

Framework is constructed out of 1 1/4" x 1 1/2" x .070" wall tubing. Laterals are constructed out of 1 1/4"x2 1/4"x.100" T-Bar. Standard spacing on the laterals is three inches.

GUARANTEE:

These shelves carry a **Lifetime Guarantee** against rust and corrosion and also carry a **One-Year Guarantee** against workmanship and material defects.

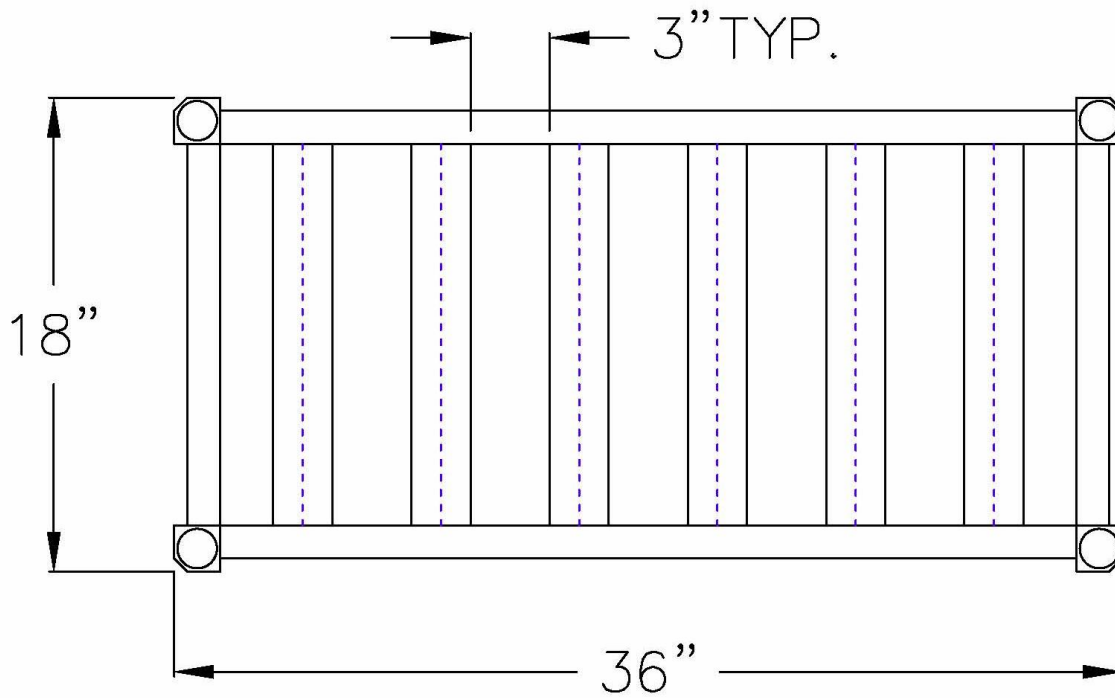


T-Bar Style Shelf



Phone:800-255-0104
Fax: 877-877-7687
www.newageindustrial.com
sales@newageindustrial.com

New Age Industrial reserves the right to modify or make changes at any time without notice to materials and specifications.



Model #C1836HD



Model No.	Size D-L
T-Bar Shelf	
C1836TB	18" x 36"
C1848TB	18" x 48"
C1860TB	18" x 60"
C2436TB	24" x 36"
C2448TB	24" x 48"
C2460TB	24" x 60"
C2472TB	24" x 72"



Phone: 800-255-0104
 Fax: 877-877-7687
www.newageindustrial.com
sales@newageindustrial.com

New Age Industrial reserves the right to modify or make changes at any time without notice to materials and specifications.