



JOB:  
ITEM:  
QTY:



# ALUMINUM HAND TRUCK

## APPLICATION:

The lightweight aluminum design makes it easy for anybody to maneuver. The aluminum will not rust or corrode, keeping your warehouse looking new!

## MATERIAL:

Framework is constructed out of 1 1/4"x1 1/4"x.070" wall tubing. Handle is constructed out of 1" diameter pipe. The nose plate is 9"x18".

## CASTERS:

This truck comes equipped with two 3 1/2"x10" wheels, options are Flat free or Pneumatic.

## GUARANTEE:

This truck carries a **Lifetime Guarantee** against rust and corrosion and also carries a **Five-Year Guarantee** against workmanship and material defects.

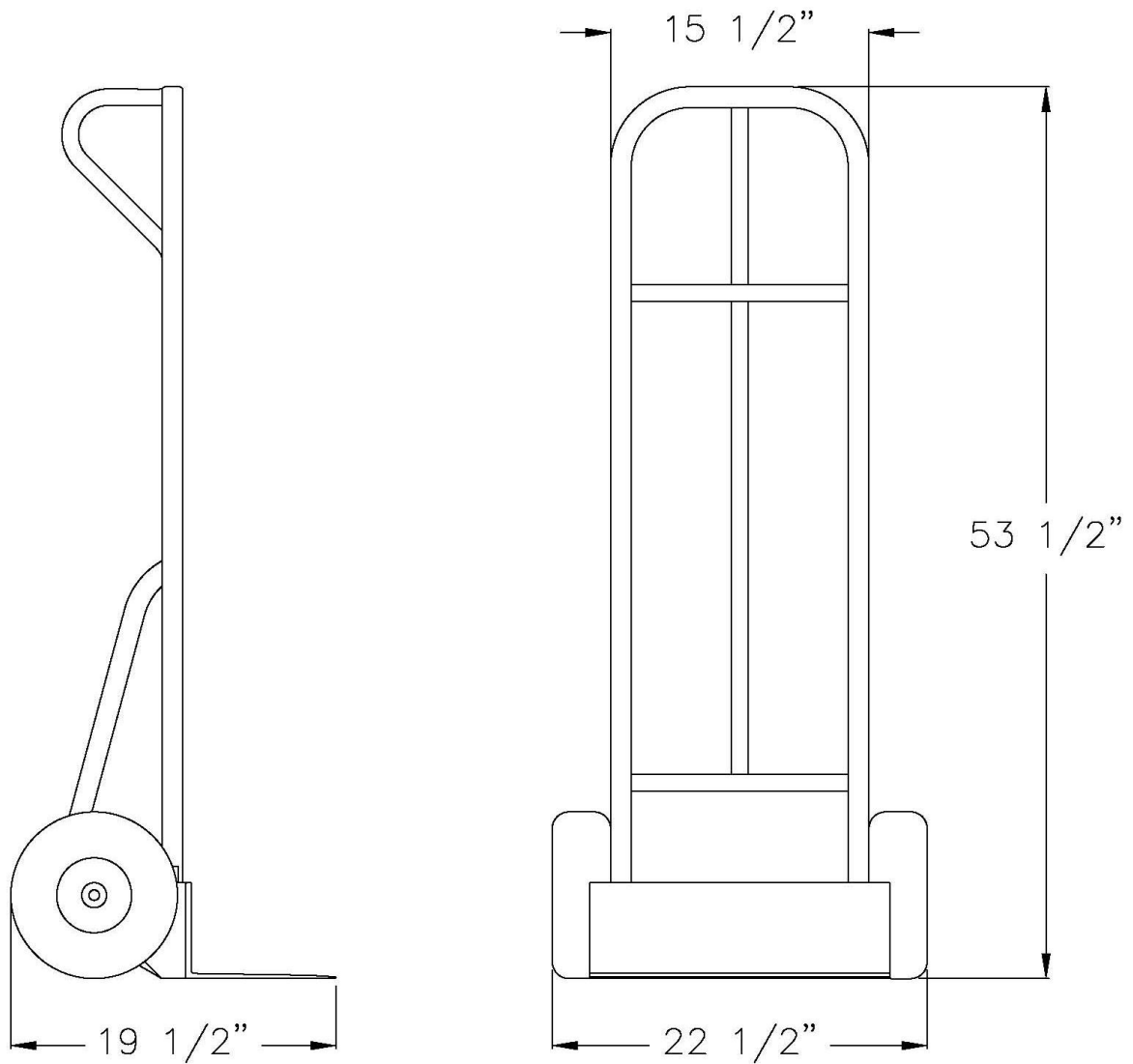


**Model #HT18F10**



Phone: 800-255-0104  
Fax: 877-877-7687  
[www.newageindustrial.com](http://www.newageindustrial.com)  
[sales@newageindustrial.com](mailto:sales@newageindustrial.com)

New Age Industrial reserves the right to modify or make changes at any time without notice to materials and specifications.



**Model #HT18F10**

Model No.	Size-W	Size-H	Size-D	Wheel Type
HT18F10	22 1/2"	53 1/2"	19 1/2"	FLAT FREE
HT18P10	22 1/2"	53 1/2"	19 1/2"	PNEUMATIC



Phone: 800-255-0104  
 Fax: 877-877-7687  
[www.newageindustrial.com](http://www.newageindustrial.com)  
[sales@newageindustrial.com](mailto:sales@newageindustrial.com)

New Age Industrial reserves the right to modify or make changes at any time without notice to materials and specifications.