



JOB:
ITEM:
QTY:



HEAVY DUTY STOCK TRUCK

APPLICATION:

Specifically designed for heavy-duty transport applications, this all welded aluminum stock truck is built to last!

MATERIAL:

Framework is constructed out of 1 1/2"x 1 1/2"x.070" wall tubing. Handle is constructed out of 1 5/16" diameter pipe. NS557A top is constructed out of .063" aluminum top.

CASTERS:

These trucks come equipped with 6"x2" platform type casters, two swivel and two rigid.

GUARANTEE:

These trucks carry a **Lifetime Guarantee** against rust and corrosion and also carry a **Five-Year Guarantee** against workmanship and material defects.

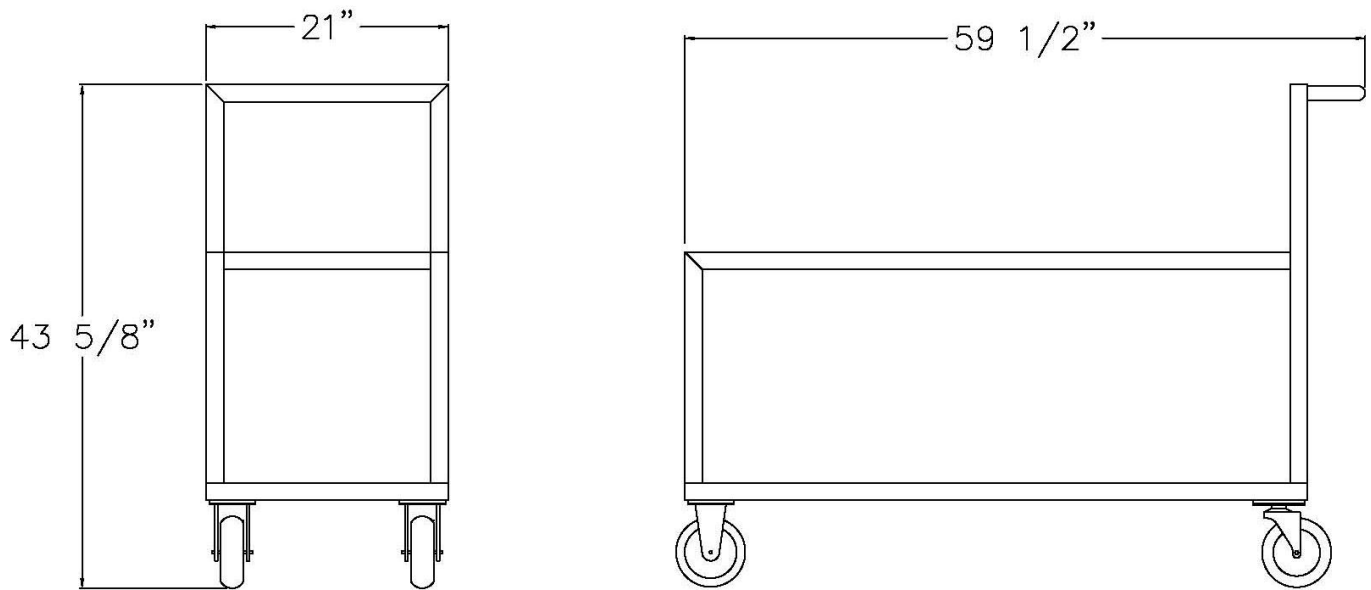


Model #NS557



Phone: 800-255-0104
Fax: 877-877-7687
www.newageindustrial.com
sales@newageindustrial.com

New Age Industrial reserves the right to modify or make changes at any time without notice to materials and specifications.



Model #NS557

Model No.	Size-W	Size-H	Size-D	Wt. Cap.	Top Shelf Type
NS557	21"	44"	59 1/2"	3000#	Bar
Unit With Solid Aluminum Top					
NS557A	21"	44"	59 1/2"	3000#	Solid



Phone: 800-255-0104
 Fax: 877-877-7687
www.newageindustrial.com
sales@newageindustrial.com

New Age Industrial reserves the right to modify or make changes at any time without notice to materials and specifications.