

NOR-LAKE, INCORPORATED
727 Second Street
P.O. Box 248
Hudson, Wisconsin 54016

800-955-5253
715-386-2323
866-961-5253 Parts
800-388-5253 Service
715-386-6149 FAX
www.norlake.com

NORLAKE®



ANGLED ICE CREAM MERCHANDISER



PROJECT:

ITEM NUMBER:

MODEL NUMBER:

ANGLED ICE CREAM MERCHANDISER

SPECIFICATIONS FOR: MF122, MF182

- **Finish:** 24 gauge white polyester enamel painted steel interior and exterior
- **Insulation:** 2" foamed-in-place "zero ODP" urethane insulation
- **Hardware:** Foamed-in-place self closing reversible rear door with replaceable magnetic door gasket. Two adjustable heavy duty, white epoxy coated, welded wire shelves. Four pane tempered glass on front. Levelling legs to correct for unlevel flooring situations.
- **Electrical:** 115 volt, 60HZ, 1 phase with cord and plug
- **Instrumentation:** Standard electrical control allows user to easily monitor and adjust defrost functions from the panel interface.
- **Refrigeration:** Self-contained, hermetic condensing unit with automatic defrost. Rear air intake and discharge. R-404A refrigerant. Temperature range: 0°F to -20°F (-18°C to -29°C).
- **Approvals:** UL, C-UL, NSF (MF122 is not listed on the NSF ANF Correlation List)

STANDARD FEATURES

- 24 gauge painted steel interior and exterior
- Stainless steel top serving deck
- Extra large, non-fogging front display window
- Back lit sign area in stainless steel frame
- Full length fluorescent lamp
- Automatic condensate evaporator
- Independent on/off light switch
- Warranties: 12-month parts and labor
5-year compressor

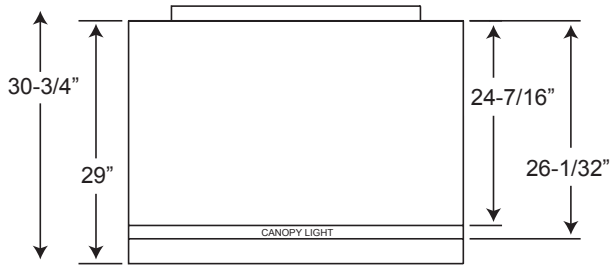
OPTIONAL FEATURES

- Extra Shelf
- Casters

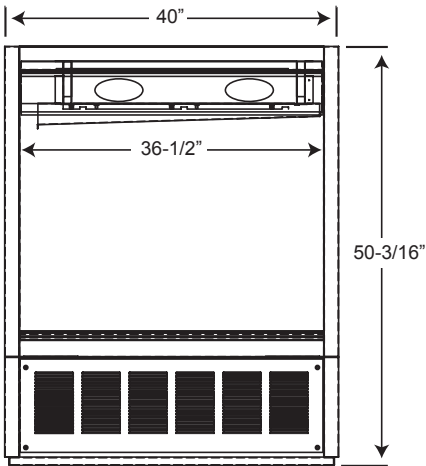


Nor-Lake, Inc.
Registered to ISO 9001:2008
File No. 10001816

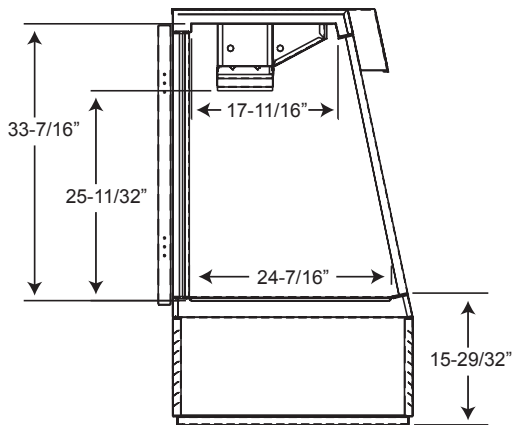
SPECIFICATION
GUIDE



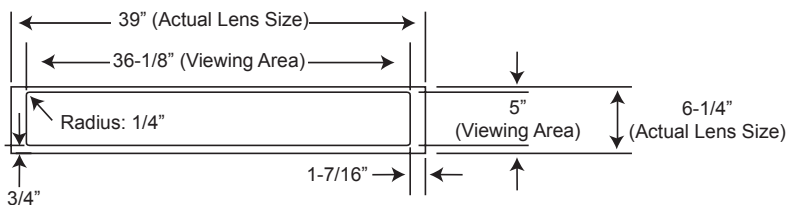
Top



Front



Side



Glass

SPECIFICATIONS

Model	MF122	MF182
Crated Height	58-1/2"	62"
Crated Width	57"	68"
Crated Depth	40"	40"
Crated Weight (lbs.)	442	640
Interior Height	25-11/32"	27-1/2"
Interior Width	36-1/2"	55"
Interior Depth	24-7/16"	24"
Overall Height	50-3/16"	50"
Overall Width	40"	60"
Overall Depth	30-3/4"	31"
Gross Cubage (ft. ³)	11.8	18.1
Number of Shelves	2	4
Number of Casters (optional)	4	4
Condensing Unit Size	3/4	3/4
Refrigerant	R-404A	R-404A
Electrical Characteristics	115/60/1	115/60/1
Cord and Plug Furnished	Yes	Yes
Maximum Fuse Size	20	20
Nema Plug Configuration	5-20 P	5-20 P
Total Amp Draw	13.6	13.4

Specifications subject to change without notice.



Revision Date: 11/10
 © 2010 NOR-LAKE, INC.
 Printed in the U.S.A.
 Part Number: 144098

