

REACH-IN BLAST CHILLERS



NBC80-8

NBC113-14

PROJECT:

 ITEM NUMBER:

 MODEL NUMBER:

SPECIFICATIONS FOR: NBC80-8, NBC113-14

- **Exterior finish:** Stainless steel exterior; satin scotchbrite finish on door, side panels, control panel and top.
- **Interior finish:** Stainless steel, polished interior including diamond polished inner floor for improved hygiene.
- **Insulation:** The complete cabinet and door(s) are foamed-in-place with CFC-free polyurethane insulation.
- **Hardware:** One-piece construction with rounded internal corners; removable stainless steel half racks and container support guides; stainless steel legs with plastic heat resistant pads; height adjustable from 4.0" to 5.3"; Multi-point product probe with L-shaped handle for easy extraction; self closing door with full-height outer stainless steel handle; removable magnetic gasket; door frame heating element. Note: Model NBC113-14 needs to be plumbed to a floor drain.
- **Electrical:** 220/60/3
- **Instrumentation:** Microprocessor based controller with LCD display - 2 rows x 16 characters; blast chilling with variable cycle progression; 20 pre-set blast-chilling cycles; displays interior temperature, product temperature and ventilation speed; Maintain temperature at end of blast chilling cycle.
- **Refrigeration:** R-404A refrigerant; Evaporator temperature control done with thermostatic valve and variable speed evaporator fans; Hinged evaporator coil cover for easy cleaning of evaporator coil; Drain outlet for easy interior cleaning; Copper/Aluminum corrosion-proofed evaporator coil; electronically controlled, manual defrost. The chilling process will take product from 160°F to 38°F in 90 minutes.
- **Approvals:** UL and NSF approved.

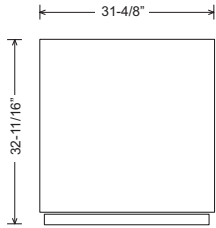
STANDARD FEATURES

- Adjustable legs with plastic heat resistant pads
- CFC-free polyurethane insulation
- Hermetic compressor
- Copper/aluminum corrosion resistant evaporator
- Door frame heater
- L-shaped handle
- LCD digital display
- Electronically controlled manual defrost
- R-404A refrigerant
- Removable magnetic door gasket
- Stainless steel exterior
- Stainless steel half racks
- Stainless steel, polished interior
- Warranties: 12 month parts and labor

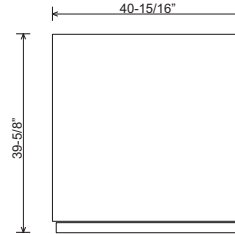


Nor-Lake, Inc.
 Registered to ISO 9001:2008
 File No. 10001816

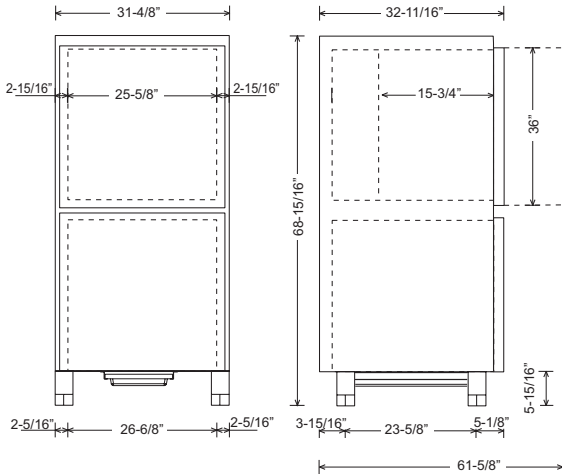
REACH-IN BLAST CHILLERS



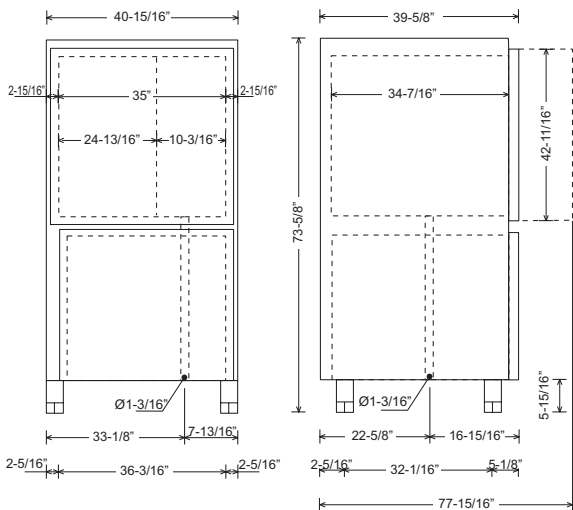
NBC80-8 - Top View



NBC113-14 - Top View



NBC80-8 - Front and Side Views



NBC113-14 - Front and Side Views

| SPECIFICATIONS | | |
|----------------------------|---------------------|---------------------|
| Models | NBC80-8 | NBC113-14 |
| Crated Height (in) | 75-3/5" | 80-7/10" |
| Crated Width (in) | 35-4/5" | 42-9/10" |
| Crated Depth (in) | 34-3/5" | 42-1/2" |
| Crated Weight (lbs) | 485 | 551 |
| Interior Height (in) | 29-1/2" | 33" |
| Interior Width (in) | 23-3/5" | 20-9/10" |
| Interior Depth (in) | 15-3/4" | 25-3/5" |
| Overall Height (in) | 68-15/16" | 73-5/8" |
| Overall Width (in) | 31-1/2" | 40-15/16" |
| Overall Depth (in) | 32-11/16" | 39-5/8" |
| Shelf Area (sq. ft.) | 15-3/4" x 23-11/16" | 23-11/16" x 31-1/2" |
| Number of Shelves | 3 | 6 |
| Number of Legs | 4 | 4 |
| Condensing Unit Size | 3-1/2 HP | 5 HP |
| Refrigerant | R404A | R404A |
| Electrical Characteristics | 220/60/3 | 220/60/3 |
| Cord & Plug Furnished | No | No |
| Maximum Fuse Size | 15 AMPS | 15 AMPS |
| Total Amp Draw | 5 | 6 |

Specifications subject to change without notice.



Revision Date: 11/10
 ©2010 NOR-LAKE, INC.
 Printed in the U.S.A.
 Part Number: 143364

