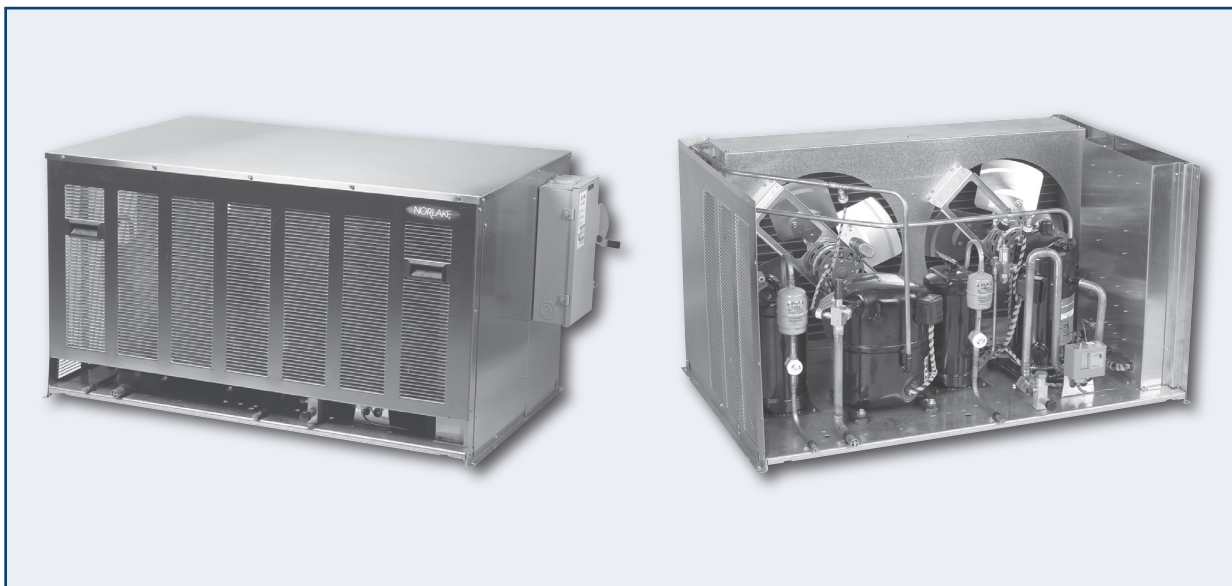




## DUAL-PAK™ REFRIGERATION SYSTEM



### SPECIFICATIONS FOR: DUAL-PAK™ REFRIGERATION SYSTEM

A refrigeration system designed for the combination cooler/freezer walk-in with a single rack and housing.

#### STANDARD FEATURES

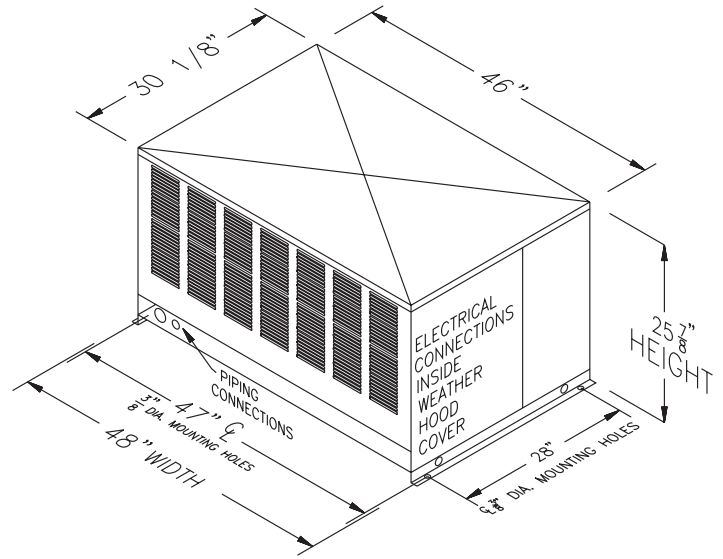
- Modular design to combine refrigeration for cooler/freezer combination walk-ins
- Two compressors as a common base and frame assembly
- Galvanized steel rack
- Multi-circuited condenser coil designed for 110°F ambient
- Scroll compressors for freezer applications up to 5 HP
- Hermetic compressors for cooler applications up to 3 HP
- Compressors that use a separate refrigerant circuit providing independent function of each system
- Pre-wired electrical panel with one point connection and disconnect switch included
- Standard voltage 208-230/60/3
- 18 month labor/service warranty

#### OPTIONAL FEATURES

- Enviro-control™
- Stainless steel finish
- Five year compressor warranty



Nor-Lake, Inc.  
Registered to ISO 9001:2008  
File No. 10001816



The Dual-Pak™ refrigeration system is the perfect answer to situations requiring only a two compressor system.

Combinations Models	Systems	Compressor Models	At Room Temp. With a 10° TD, 90° Ambient					Ref.	HP	Voltage	
			-20	-10	0	20	35				40
NDP1102C	3/4 hp Medium temp.	RST55C1E-CAV				4840	6790	7520	R-404A	3/4	208-230/60/3
	1-1/2 hp Low Temp.	CF06K6E-TF5	3270	5190	7660				R-404A	1 1/2	
NDP1104C	1/2 hp Medium temp.	RST45C1E-CAV				3980	5530	6130	R-404A	1/2	208-230/60/3
	1-1/2 hp Low Temp.	CF06K4E-TF5	3270	5190	7660				R-404A	1 1/2	
NDP1106C	1 hp Medium temp.	RS70C1E-TFC				5520	9180	10400	R-404A	1	208-230/60/3
	1-1/2 hp Low Temp.	CF06K6E-TF5	3270	5190	7660				R-404A	1 1/2	
NDP1108C	1-1/2hp Medium temp.	CS10K6E-TF5				8700	13500	15100	R-404A	1 1/2	208-230/60/3
	1-1/2 hp Low Temp.	CF06K6E-TF5	3270	5190	7660				R-404A	1 1/2	
NDP1110C	3/4 hp Medium temp.	RST55C1E-CAV				4840	6790	7520	R-404A	3/4	208-230/60/3
	2 hp Low Temp.	ZF06K4E-TF5	5330	7090	8850				R-404A	2	
NDP1112C	1/2 hp Medium temp.	RST45C1E-CAV				3980	5530	6130	R-404A	1/2	208-230/60/3
	2 hp Low Temp.	ZF06K4E-TF5	5330	7090	8850				R-404A	2	
NDP1114C	1 hp Medium temp.	RS70C1E-TFC				5520	9180	10400	R-404A	1	208-230/60/3
	2 hp Low Temp.	ZF06K4E-TF5	5330	7090	8850				R-404A	2	
NDP1116C	1-1/2hp Medium temp.	CS10K6E-TF5				8700	13500	15100	R-404A	1 1/2	208-230/60/3
	2 hp Low Temp.	ZF06K4E-TF5	5330	7090	8850				R-404A	2	
NDP1118C	3/4 hp Medium temp.	RST55C1E-CAV				4840	6790	7520	R-404A	3/4	208-230/60/3
	3 hp Low Temp.	ZF09K4E-TF5	7600	10100	12600				R-404A	3	
NDP1120C	1/2 hp Medium temp.	RST45C1E-CAV				3980	5530	6130	R-404A	1/2	208-230/60/3
	3 hp Low Temp.	ZF09K4E-TF5	7600	10100	12600				R-404A	3	
NDP1122C	1 hp Medium temp.	RS70C1E-TFC				5520	9180	10400	R-404A	1	208-230/60/3
	3 hp Low Temp.	ZF09K4E-TF5	7600	10100	12600				R-404A	3	
NDP1124C	1-1/2hp Medium temp.	CS10K6E-TF5				8700	13500	15100	R-404A	1 1/2	208-230/60/3
	3 hp Low Temp.	ZF09K4E-TF5	7600	10100	12600				R-404A	3	
NDP1126C	3/4 hp Medium temp.	RST55C1E-CAV				4840	6790	7520	R-404A	3/4	208-230/60/3
	4 hp Low Temp.	ZF13K4E-TF5	10300	14200	18100				R-404A	4	
NDP1128C	1/2 hp Medium temp.	RS43C1E-CAV				3600	5490	6120	R-404A	1/2	208-230/60/3
	4 hp Low Temp.	ZF13K4E-TF5	10300	14200	18100				R-404A	4	
NDP1130C	1 hp Medium temp.	RS70C1E-TFC				5520	9180	10400	R-404A	1	208-230/60/3
	4 hp Low Temp.	ZF13K4E-TF5	10300	14200	18100				R-404A	4	
NDP1132C	1-1/2hp Medium temp.	CS10K6E-TF5				8700	13500	15100	R-404A	1 1/2	208-230/60/3
	4 hp Low Temp.	ZF13K4E-TF5	10300	14200	18100				R-404A	4	
NDP1134C	1 hp Medium temp.	RS70C1E-TFC				5520	9180	10400	R-404A	1	208-230/60/3
	5 hp Low Temp.	ZF15K4E-TF5	13100	17700	22300				R-404A	5	
NDP1136C	1-1/2hp Medium temp.	CS10K6E-TF5				8700	13500	15100	R-404A	1 1/2	208-230/60/3
	5 hp Low Temp.	ZF15K4E-TF5	13100	17700	22300				R-404A	5	
NDP1138C	2 hp Medium temp.	CS12K6E-TFC				9900	15900	17900	R-404A	2	208-230/60/3
	5 hp Low Temp.	ZF15K4E-TF5	13100	17700	22300				R-404A	5	

## Each system composed of individual modules containing:

- Single condenser
- Two compressors
- Generously-sized receiver
- Other appropriate components (defrost timer, liquid line filter drier and sight glass, dual pressure controls, head pressure control valve, phase monitor for scroll compressors)

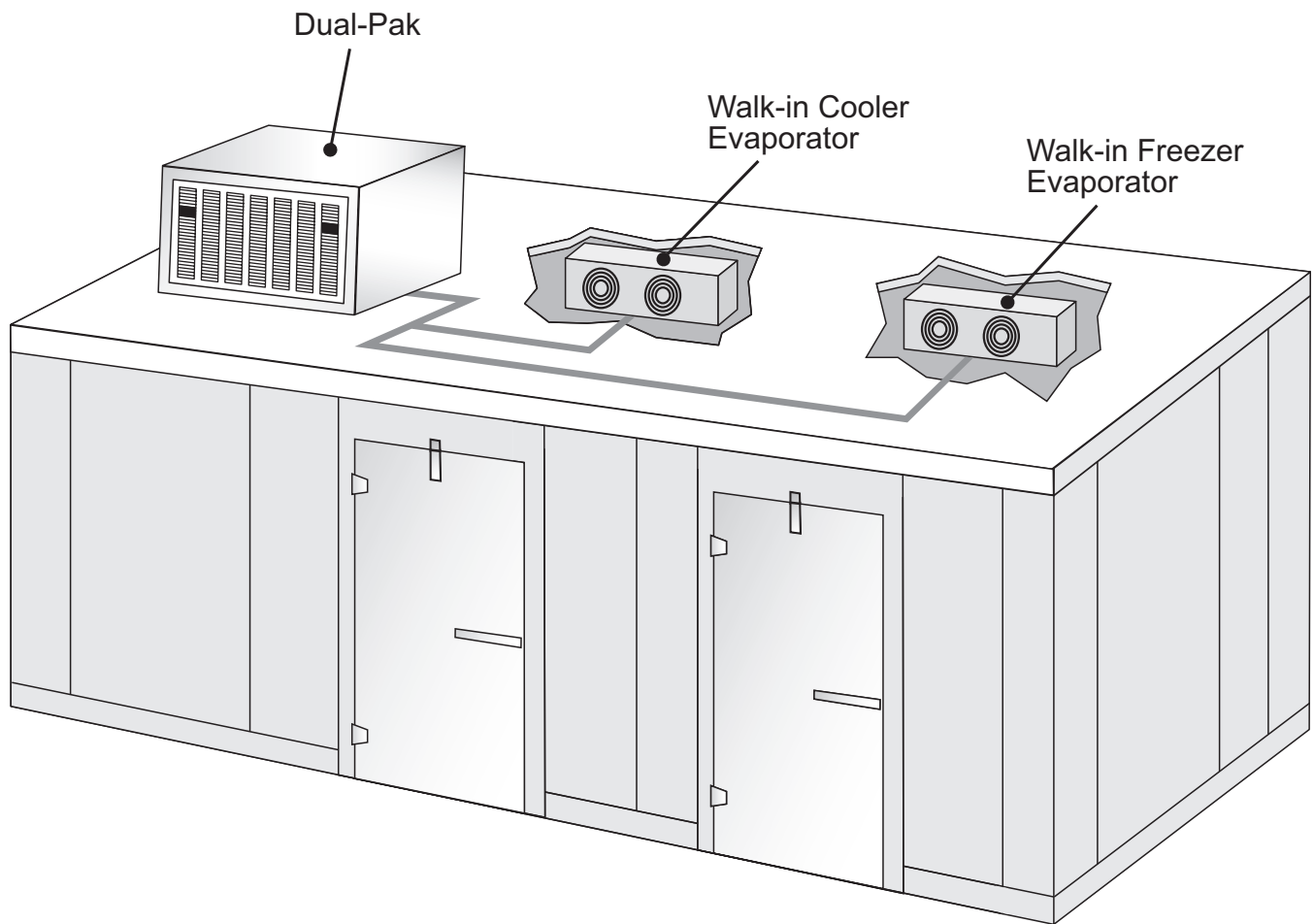
## Modular design:

- More efficient way of manufacturing
- Easier to service
- Utilizing modules makes assembly more efficient
- Reduced footprint
- Single pitch pocket (roof access for lines and electrical)

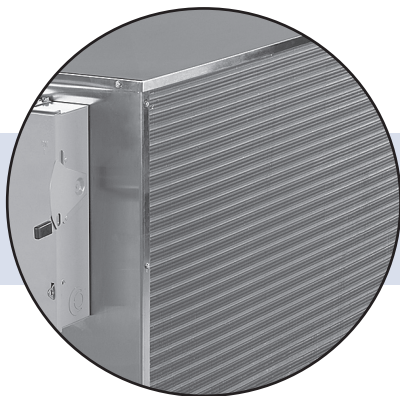
## Electrical:

- Pre-wired to electrical panel for single point connection
- Panel will include individual breakers for compressors, contractors and time clocks for both cooler and freezer systems
- Currently available in 3 phase only
- On typical applications, Dual-Pak™ saves 15-20% in energy use costs versus two individual refrigeration systems

Combinations Models	Receiver		Compressor		Dimensions			Weight Lbs	Connections		Max THR	MCA	MOP	Evap Model	Model	Evap Volts
	90%/90°F	RLA	LRA	Amps	L	D	H		Liquid	Suction						
NDP1102C	4.95	6.1	33.7	10	48	31	26	192	3/8	7/8	8,096	21.25	25	E1HZ0065A	SA18-66BA	115/60/1
	4.95	7	52	10				200	3/8	1-1/8	11,873					
NDP1104C	4.95	4.6	26.5	10	48	31	26	184	3/8	5/8	6,367	19.75	25	E1HZ0052A	SA18-53BA	115/60/1
	4.95	7.0	52	10				200	3/8	1-1/8	11873					
NDP1106C	4.95	4.7	31.0	15	48	31	26	200	3/8	7/8	10,428	19.85	25	E1HZ0090A	SA28-97BA	115/60/1
	4.95	7.0	52	10				200	3/8	1-1/8	11873					
NDP1108C	11.3	7.5	51.0	15	48	31	26	288	1/2	7/8	15,589	22.78	30	E1HZ0120A	SA28-122BA	115/60/1
	4.95	7.0	52	10				200	3/8	1-1/8	11873					
NDP1110C	4.95	6.1	33.7	10	48	31	26	192	3/8	7/8	8,096	24.13	30	E1HZ0065A	SA18-66BA	115/60/1
	11.3	9.3	55.0	10				152	3/8	7/8	13,718					
NDP1112C	4.95	4.6	26.5	10	48	31	26	184	3/8	5/8	6,367	22.63	30	E1HZ0052A	SA18-53BA	115/60/1
	11.3	9.3	55	10				152	3/8	7/8	13718					
NDP1114C	4.95	4.7	31.0	15	48	31	26	200	3/8	7/8	10,428	22.73	30	E1HZ0090A	SA28-97BA	115/60/1
	11.3	9.3	55	10				152	3/8	7/8	13718					
NDP1116C	11.3	7.5	51.0	15	48	31	26	288	1/2	7/8	15,589	25.53	30	E1HZ0120A	SA28-122BA	115/60/1
	11.3	9.3	55	10				152	3/8	7/8	13718					
NDP1118C	4.95	6.1	33.7	10	48	31	26	192	3/8	7/8	8,096	28.03	35	E1HZ0065A	SA18-66BA	115/60/1
	15.1	11.1	77.0	15				160	3/8	7/8	19,530					
NDP1120C	4.95	4.6	26.5	10	48	31	26	184	3/8	5/8	6,367	26.15	35	E1HZ0052A	SA18-53BA	115/60/1
	15.1	11.1	77	15				160	3/8	7/8	19530					
NDP1122C	4.95	4.7	31.0	15	48	31	26	200	3/8	7/8	10,428	28.28	35	E1HZ0090A	SA28-97BA	115/60/1
	15.1	11.1	77	15				160	3/8	7/8	19530					
NDP1124C	11.3	7.5	51.0	15	48	31	26	288	1/2	7/8	15,589	30.40	40	E1HZ0120A	SA28-122BA	115/60/1
	15.1	11.1	77	15				160	3/8	7/8	19530					
NDP1126C	4.95	6.1	33.7	10	48	31	26	192	3/8	7/8	8,096	36.53	45	E1HZ0065A	SA18-66BA	115/60/1
	15.1	15.0	99.0	25				184	1/2	7/8	28,055					
NDP1128C	4.95	5.4	24.1	10	48	31	26	184	3/8	5/8	6,367	34.65	45	E1HZ0052A	SA18-53BA	115/60/1
	15.1	15.0	99	25				184	1/2	7/8	28055					
NDP1130C	4.95	4.7	31.0	15	48	31	26	200	3/8	7/8	10,428	34.78	45	E1HZ0090A	SA28-97BA	115/60/1
	15.1	15.0	99	25				184	1/2	7/8	28055					
NDP1132C	11.3	7.5	51.0	15	48	31	26	288	1/2	7/8	15,589	38.28	45	E1HZ0120A	SA28-122BA	115/60/1
	15.1	15.0	99	25				184	1/2	7/8	28055					
NDP1134C	4.95	4.7	31.0	15	48	31	26	200	3/8	7/8	10,428	41.85	60	E1HZ0090A	SA28-97BA	115/60/1
	16.9	21.4	123	25				192	1/2	1-1/8	34565					
NDP1136C	11.3	7.5	51.0	15	48	31	26	288	1/2	7/8	15,589	44.65	60	E1HZ0120A	SA28-122BA	115/60/1
	16.9	21.4	123	25				192	1/2	1-1/8	34565					
NDP1138C	11.3	7.5	51.0	15	48	31	26	288	1/2	1-1/8	18,209	44.65	60	E1HZ0156A	SA38-160BA	115/60/1
	16.9	21.4	123	25				192	1/2	1-1/8	34565					



The Dual-Pak™ system can be set on a building roof or on the ground.



Multi-circuited condenser coil designed for 110°F ambient.



Pre-wired electrical panel with one-point connection and a disconnect switch included.

NOR-LAKE, INCORPORATED  
 727 Second Street  
 Hudson, Wisconsin 54016  
 800-955-5253  
 715-386-2323  
 800-961-5253 PARTS  
 800-388-5253 SERVICE  
 715-386-4291 FAX  
 www.norlake.com



**ISO 9001:2008**  
 Registered to ISO 9001:2008  
 File No. 10001816



© 2010 NOR-LAKE, INC.  
 Printed in U.S.A.  
 Part Number: 143363  
 Revision Date: 11/10