

NOR-LAKE, INCORPORATED
727 Second Street
P.O. Box 248
Hudson, Wisconsin 54016

800-955-5253
715-386-2323
866-961-5253 Parts
800-388-5253 Service
715-386-4291 FAX
www.norlake.com

NORLAKE®



ADVANTEDGE™ COUNTERTOP MERCHANDISER



PROJECT:

ITEM NUMBER:

MODEL NUMBER:

COUNTERTOP MERCHANDISER

SPECIFICATIONS FOR: NLCTM7-B

- **Exterior Finish:** Complete exterior is black painted steel
- **Interior Finish:** Complete interior is white painted steel
- **Insulation:** Complete cabinet is foamed in place
- **Hardware:** One epoxy coated floor rack, two epoxy coated shelves with front stops, four adjustable levelers, LED light, magnetic gaskets, self-closing hinges, recessed handle
- **Electrical:** 115 volt, 60 Hz, 1 phase with cord and plug
- **Refrigeration:** R-134a refrigerant. Operating temperature: 38°F
- **Approvals:** ETL & ETL Sanitation listed

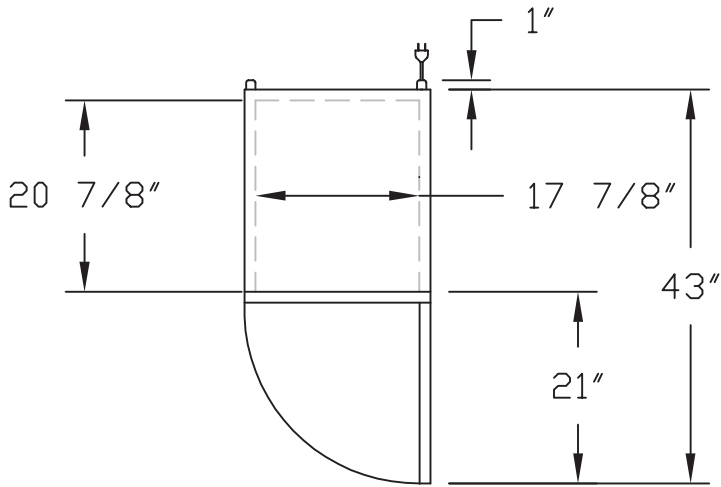
STANDARD FEATURES

- One epoxy coated floor rack
- Two epoxy coated shelves with front stops
- Four adjustable levelers
- LED light
- Magnetic gaskets
- Self-closing hinges
- Recessed handle
- Reversible door (right hinge standard)
- Approvals: ETL & ETL Sanitation
- Warranties: 3 year parts and labor, 5 year compressor

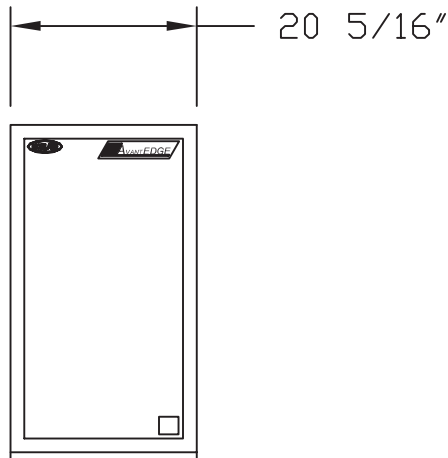


Nor-Lake, Inc.
Registered to ISO 9001:2008
File No. 10001816

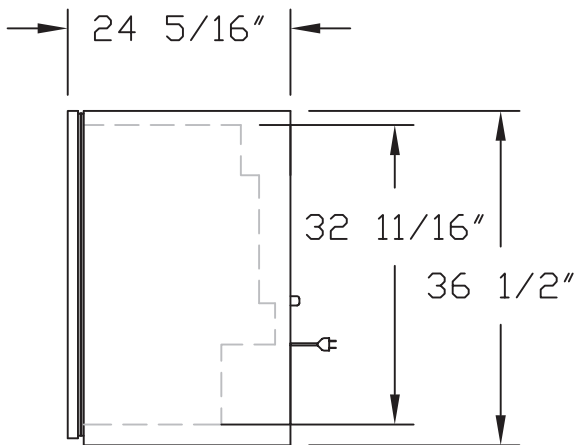
SPECIFICATION
GUIDE



TOP VIEW



FRONT VIEW



SIDE VIEW

SPECIFICATIONS

Model	NLCTM7-B
Crated Weight (lbs.)	130
Interior Height	32.7"
Interior Width	17.9"
Interior Depth	20.9"
Overall Height	36.5"
Overall Width	20.3"
Overall Depth	24.3"
Gross Cubage (ft. ³) Less Step	6.35
Number of Shelves	2
Can Capacity (12 oz.)	168
Condensing Unit Size	1/10HP
Refrigerant	R-134a
Electrical Characteristics	115/60/1
Cord and Plug Furnished	Yes
Nema Plug Configuration	5-15P
Total Amp Draw	2.1

Specifications subject to change without notice.



Revision Date: 02/13
 © 2013 NOR-LAKE, INC.
 Printed in the U.S.A.
 Part Number: 151631

