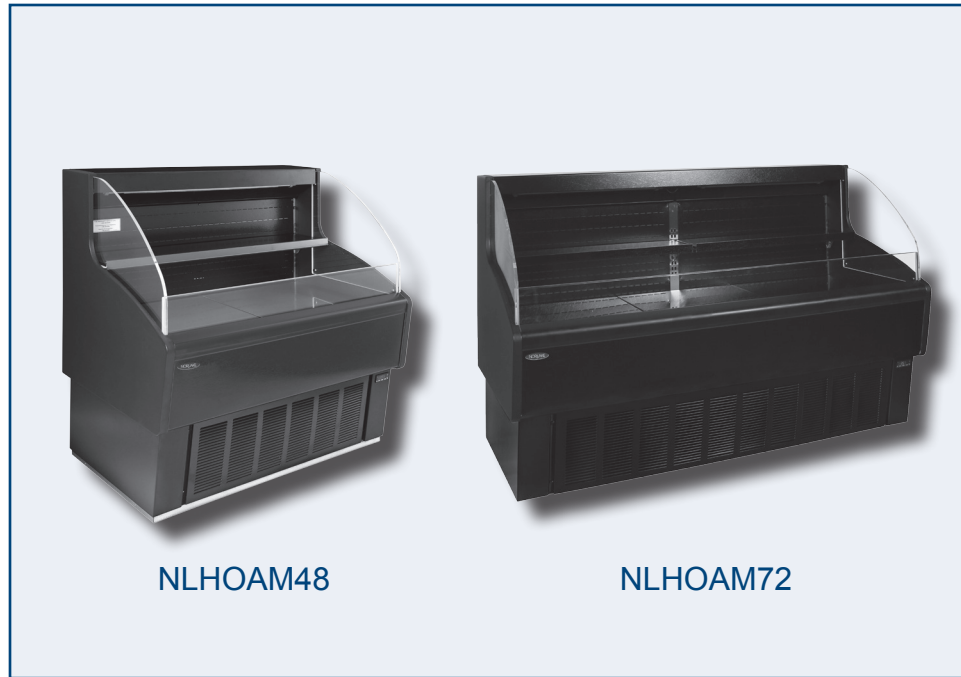


NOR-LAKE, INCORPORATED
 727 Second Street
 P.O. Box 248
 Hudson, Wisconsin 54016

800-955-5253
 715-386-2323
 866-961-5253 Parts
 800-388-5253 Service
 715-386-4291 FAX
 www.norlake.com



HORIZONTAL OPEN AIR MERCHANDISERS



NLHOAM48

NLHOAM72

PROJECT:

ITEM NUMBER:

MODEL NUMBER:

HORIZONTAL OPEN AIR MERCHANDISERS

SPECIFICATIONS FOR: NLHOAM36, NLHOAM48, NLHOAM60 & NLHOAM72

- **Finish:** 24 gauge black painted textured galvanized steel interior and exterior front and top
- **Insulation:** 2" foamed-in-place "zero ODP" urethane insulation
- **Hardware:** Electronically controlled monitoring system, full length 10" wide metal top, adjustable shelf, LED lighting in canopy, stainless steel floor pans, automatic defrost
- **Electrical:** 115 volt, 60 Hz, 1 phase with cord. NEMA 5-15P Plug for 36" and 48" models, NEMA 5-20P for 60" and 72" models. Note: does not include vaporizer
- **Refrigeration:** Self-contained forced air R-404a refrigerant. Temperature range: +34°F to +41°F. Designed to operate in a maximum +75° - 55% RH ambient. Condensate evaporator pan provided, piping to floor drain recommended.
- **Approvals:** UL, C-UL Safety & UL-Sanitation listed

STANDARD FEATURES

- 24 gauge black painted textured galvanized steel interior and exterior front and top
- Adjustable shelf
- Audible and visual temperature alarm
- Automatic defrost
- Electronically controlled monitoring system
- Full length 10" wide metal top
- LED lighting in canopy
- Stainless steel floor pans
- Temperature range: +34°F to +41°F
- Approvals: UL, C-UL Safety & UL-Sanitation listed
- Warranties: 3 year parts and labor, 5 year compressor

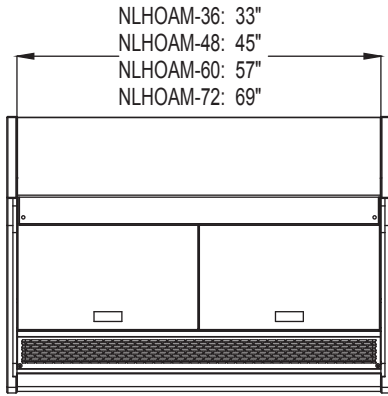
OPTIONAL FEATURES *

- Casters
- Night curtain kit
- Sandwich display deck
- Stainless steel interior and exterior

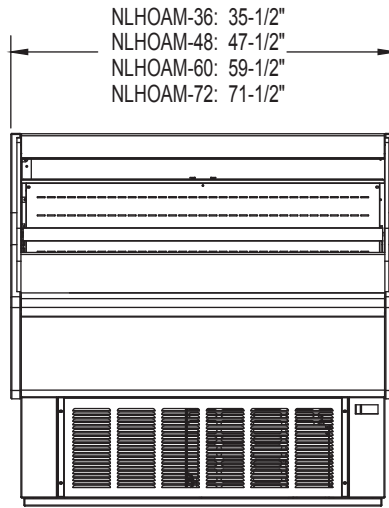
* Most options are available one week from receipt of order. Please contact us for specific questions.

** C-UL is Underwriters Laboratories Safety Certification Mark which indicates that UL has tested the equipment to applicable CSA Standards.

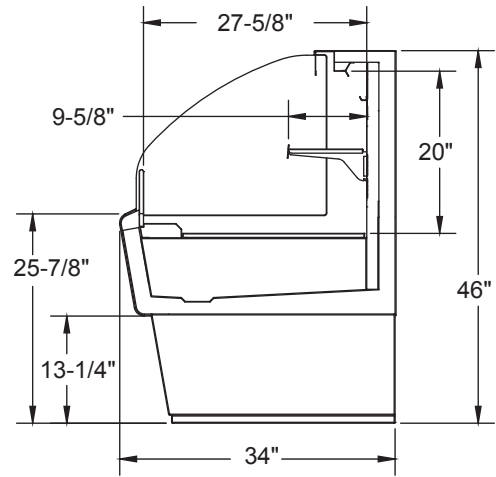
** UL-Sanitation is Underwriters Laboratories Safety Certification Mark which indicates that UL has tested the equipment to applicable NSF Standards.



TOP VIEW



FRONT VIEW



SIDE VIEW

SPECIFICATIONS

Models	NLHOAM36	NLHOAM48	NLHOAM60	NLHOAM72
<i>Crated Weight (lbs) (kg)</i>	350 (159)	450 (205)	550 (250)	650 (295)
<i>Crated Height (in) (cm)</i>	52 (133)	52 (133)	52 (133)	52 (133)
<i>Crated Width (in) (cm)</i>	45 (115)	60 (153)	69 (176)	81 (206)
<i>Crated Depth (in) (cm)</i>	40 (102)	40 (102)	40 (102)	40 (102)
<i>Interior Height (in) (cm)</i>	20 (50-4/5)	20 (50-4/5)	20 (50-4/5)	20 (50-4/5)
<i>Interior Width (in) (cm)</i>	33 (83-4/5)	45 (114-1/3)	57 (144-4/5)	69 (175-1/3)
<i>Interior Depth (in) (cm)</i>	23 (58-1/3)	23 (58-1/3)	23 (58-1/3)	23 (58-1/3)
<i>Overall Height (in) (cm)</i>	46 (115)	46 (115)	46 (115)	46 (115)
<i>Overall Width (in) (cm)</i>	35-1/2 (88-3/4)	47-1/2 (118-3/4)	59-1/2 (148-3/4)	71-1/2 (178-3/4)
<i>Overall Depth (in) (cm)</i>	34 (85)	34 (85)	34 (85)	34 (85)
<i>Gross Cubage (CuFt) (L)</i>	4.6 (130.2)	6.3 (178.3)	7.9 (223.6)	9.6 (271.7)
<i>Number of Shelves</i>	1	1	1	1
<i>Shelf Area (SqFt) (Sqm)</i>	2.2 (0.2)	3.0 (0.28)	3.8 (0.35)	4.6 (0.43)
<i>Condensing Unit Size</i>	1/2 HP	1/2 HP	3/4 HP	3/4 HP
<i>Refrigerant</i>	R-404a	R-404a	R-404a	R-404a
<i>Electrical Characteristics</i>	115/60/1	115/60/1	115/60/1	115/60/1
<i>Cord and Plug Furnished</i>	Yes	Yes	Yes	Yes
<i>NEMA Plug Configuration</i>	5-15P	5-15P	5-20P	5-20P
<i>Total Amp Draw *</i>	8.0	8.0	11.5	11.5

* Does not include independent electric vaporizer. Factory installed electric vaporizer requires a dedicated 15 amp, 120v circuit

Specifications subject to change without notice.



Revision Date: 03/15
 © 2015 NOR-LAKE, INC.
 Printed in the U.S.A.
 Part Number: 157800

