



# ADVANTEDGE™ SANDWICH FOOD PREP REFRIGERATORS

SANDWICH FOOD PREP REFRIGERATORS



NLSP48-12

PROJECT:  
 .....  
 ITEM NUMBER:  
 .....  
 MODEL NUMBER:  
 .....

## SPECIFICATIONS FOR: NLSP27-8, NLSP36-10, NLSP48-12, NLSP60-16, NLSP72-18

- **Finish:** Stainless steel interior and exterior.
- **Insulation:** Complete cabinet and doors are foamed-in-place with polyurethane insulation Insulated pan cover.
- **Hardware:** Curved handle with recessed pocket with one epoxy coated shelf per door, 6" diameter casters standard.
- **Electrical:** 115 volt, 60 Hz, 1 phase with cord and plug.
- **Refrigeration:** Self contained forced air refrigeration system. The condensate is collected and automatically evaporated from an energy efficient hot gas style vaporizer. Refrigerant flow is controlled by a capillary tube. R-134a refrigerant. Temperature range: +32°F to +40°F.
- **Accessories:** 1/6 size pans included and 9-1/2" polyethylene cutting board.
- **Approvals:** UL, C-UL and ETL Sanitation listed \*\*

### STANDARD FEATURES

- 1/6 size pans included  
 \*Note: NLSP27-8 has (6) 1/6 size pans and (2) 1/9 size pans included.
- Air cooled condensing unit
- Automatic condensate vaporizer
- Automatic defrost
- Capillary tube system
- Casters
- Cutting board

- Magnetic gaskets
- Self closing doors
- Stainless steel interior and exterior
- UL, C-UL and ETL Sanitation listed \*\*
- Warranties: 3 year parts & labor, 5 year compressor

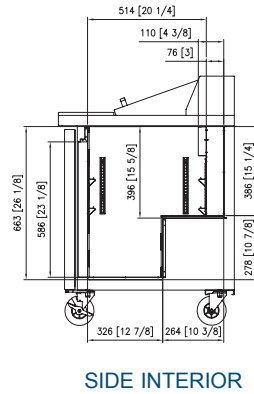
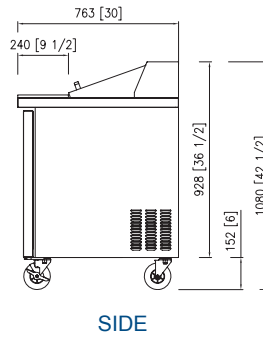
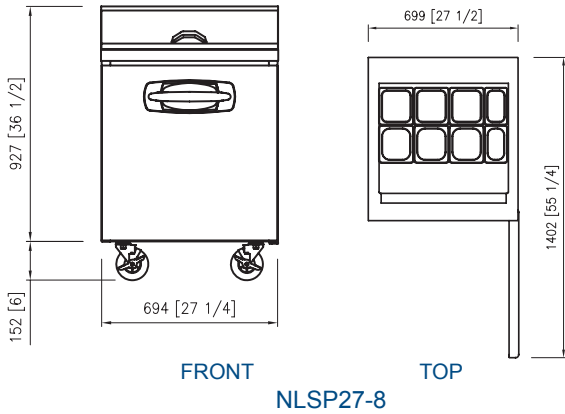
### OPTIONAL FEATURES\*

- Additional shelves
- Pull-out drawers
- Overshelf assemblies



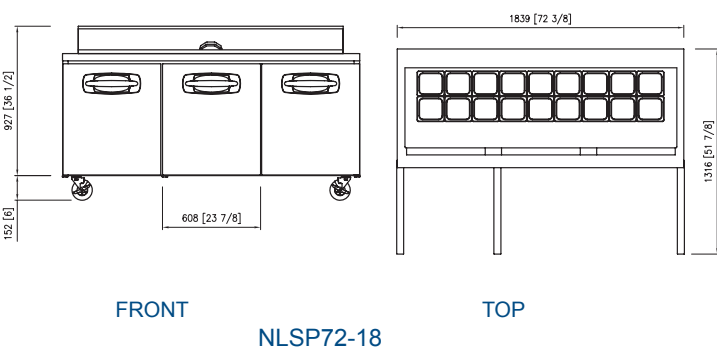
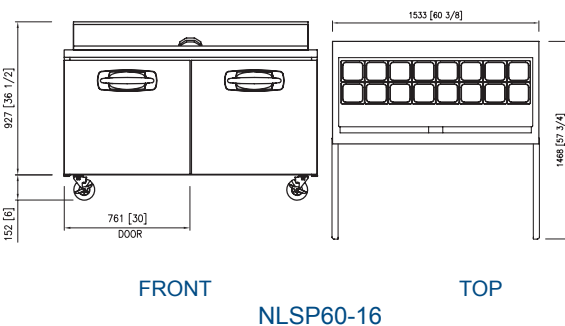
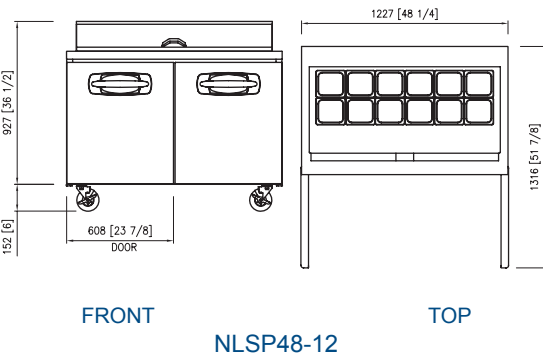
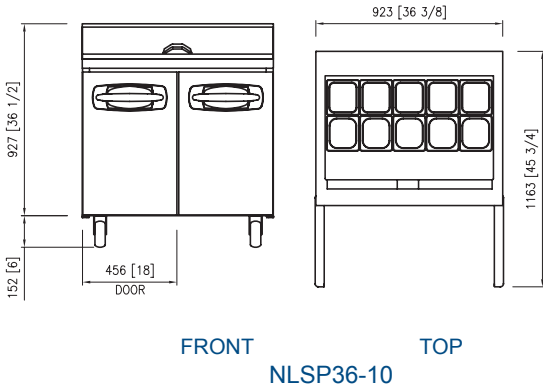
Nor-Lake, Inc.  
 Registered to ISO 9001:2008  
 File No. 10001816

\* Most options are available two weeks from receipt of order. Please contact us for specific questions.  
 \*\* C-UL is Underwriters Laboratories Safety Certification Mark which indicates that UL has tested the equipment to applicable CSA Standards.  
 \*\* UL-Sanitation is Underwriters Laboratories Safety Certification Mark which indicates that UL has tested the equipment to applicable NSF Standards.



**SPECIFICATIONS**

Models	NLSP27-8	NLSP36-10	NLSP48-12	NLSP60-16	NLSP72-18
Crated Height	42-7/8"	42-7/8"	42-7/8"	42-7/8"	42-7/8"
Crated Width	30-1/8"	37-1/4"	51-1/8"	63"	74-3/8"
Crated Depth	33-1/2"	33-1/2"	33-1/2"	33-1/2"	33-1/2"
Crated Weight (lbs.)	212	268	304	344	384
Interior Height	26-1/8"	26-1/8"	26-1/8"	26-1/8"	26-1/8"
Interior Width	23-3/4"	32-3/4"	44-5/8"	56-3/4"	68-5/8"
Interior Depth	20-1/4"	20-1/4"	20-1/4"	20-1/4"	20-1/4"
Overall Height	42-1/2"	42-1/2"	42-1/2"	42-1/2"	42-1/2"
Overall Width	27-1/2"	36-3/8"	48-1/4"	60-3/8"	72-3/8"
Overall Depth	30"	30"	30"	30"	30"
Gross Cubage (ft. <sup>3</sup> )	7	10	13	16	20
Number of 1/6 Pans	8*	10	12	16	18
Number of Shelves	1	2	2	2	3
Number of Casters	4	4	4	4	4
Condensing Unit Size	1/5 HP	1/5 HP	3/8 HP	3/8 HP	3/8 HP
Refrigerant	R-134a	R-134a	R-134a	R-134a	R-134a
Electrical Characteristics	115/60/1	115/60/1	115/60/1	115/60/1	115/60/1
Cord and Plug Furnished	Yes	Yes	Yes	Yes	Yes
Nema Plug Configuration	5-15P	5-15P	5-15P	5-15P	5-15P
Total Amp Draw	3.2	3.4	7.9	7.9	9.9



Specifications subject to change without notice.



Revision Date: 03/13  
©2013 Nor-Lake, Inc.  
Printed in the USA  
Part Number: 146621