

ADVANTEDGE™ UNDERCOUNTER / WORKTABLE FREEZERS



PROJECT:

ITEM NUMBER:

MODEL NUMBER:

UNDERCOUNTER / WORKTABLE FREEZERS

SPECIFICATIONS FOR: NLUF27, NLUF48, NLUF60

- **Finish:** Stainless steel interior and exterior
- **Insulation:** Complete cabinet and doors are foamed-in-place with polyurethane insulation
- **Hardware:** Curved handle with recessed pocket with one vinyl coated shelf per door, 6" diameter casters standard
- **Electrical:** 115 volt, 60 Hz, 1 phase with cord and plug
- **Refrigeration:** Self contained forced air refrigeration system. The condensate is collected and automatically evaporated from an energy efficient hot gas style vaporizer. Refrigerant flow is controlled by a capillary tube. R-134a refrigerant for NLUF27 and R-404a for NLUF48 and NLUF60. Temperature range: -5°F to 0°F
- **Approvals:** UL, C-UL and ETL Sanitation listed **, ADA compliant ***

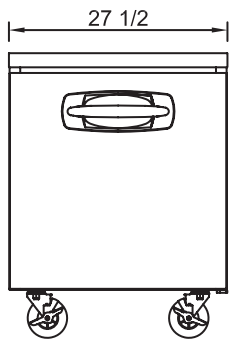
STANDARD FEATURES

- Air cooled condensing unit
- Automatic condensate vaporizer
- Automatic defrost
- Capillary tube system
- Casters
- Curved handle with recessed pocket
- Magnetic gaskets
- Self-closing doors
- Stainless steel interior and exterior
- Vinyl coated shelves
- UL, C-UL and ETL Sanitation listed **
- Warranties: 3 year parts & labor, 5 year compressor

OPTIONAL FEATURES*

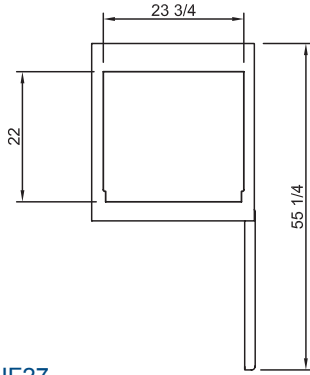
- Additional shelves
- Backsplash
- Low profile casters ***
- Single and double overshelf assemblies

* Most options are available two weeks from receipt of order. Please contact us for specific questions.
 ** C-UL is Underwriters Laboratories Safety Certification Mark which indicates that UL has tested the equipment to applicable CSA Standards.
 *** ETL-Sanitation is Intertek Labs Sanitation Certification Mark which indicates that ETL has tested the equipment to applicable NSF Standards.

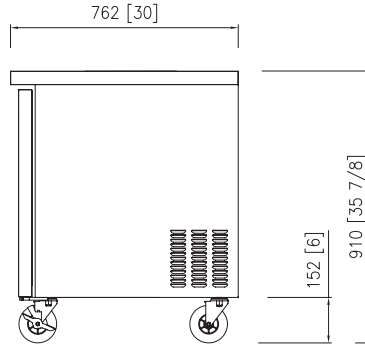


FRONT

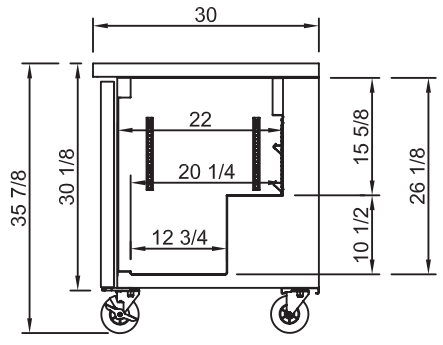
NLUF27



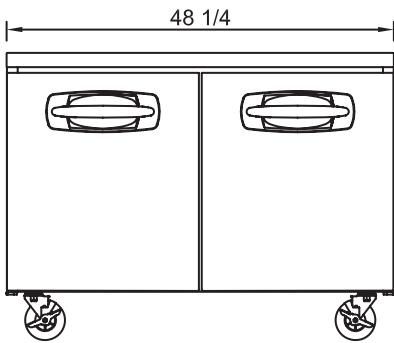
TOP



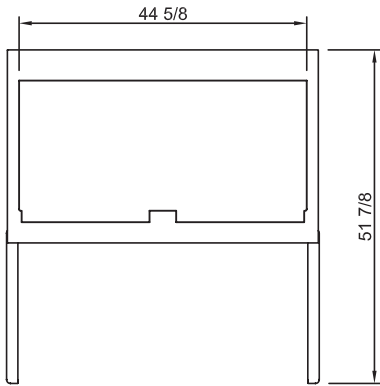
SIDE



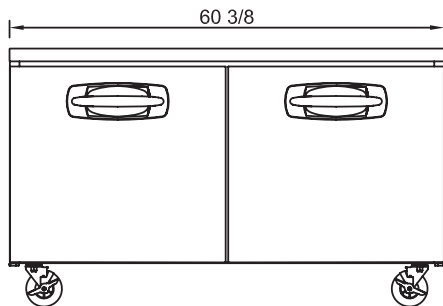
SIDE INTERIOR



NLUF48 FRONT

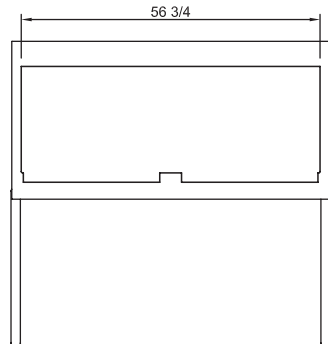


NLUF48 TOP



FRONT

NLUF60



TOP

SPECIFICATIONS

Models	NLUF27	NLUF48	NLUF60
<i>Crated Weight (lbs) (kg)</i>	207 (93)	298 (134)	350 (158)
<i>Crated Height (in) (cm)</i>	36-1/4 (91)	36-1/4 (91)	36-1/4 (91)
<i>Crated Width (in) (cm)</i>	30-1/8 (75)	51-1/8 (128)	63 (158)
<i>Crated Depth (in) (cm)</i>	33-1/2 (84)	33-1/2 (84)	33-1/2 (84)
<i>Interior Height (in) (cm)</i>	26-1/8 (65)	26-1/8 (65)	26-1/8 (65)
<i>Interior Width (in) (cm)</i>	23-3/4 (59)	44-5/8 (112)	56-3/4 (142)
<i>Interior Depth (in) (cm)</i>	20-1/4 (51)	20-1/4 (51)	20-1/4 (51)
<i>Overall Height (in) (cm)</i>	35-7/8 (90)	35-7/8 (90)	35-7/8 (90)
<i>Overall Width (in) (cm)</i>	27-1/2 (69)	48-1/4 (121)	60-3/8 (151)
<i>Overall Depth (in) (cm)</i>	30 (75)	30 (75)	30 (75)
<i>Gross Cubage (CuFt) (L)</i>	7.0 (198)	13.0 (368)	16.0 (453)
<i>Number of Shelves</i>	1	2	2
<i>Shelf Area (SqFt) (Sqm)</i>	2.75 (0.26)	5.30 (0.49)	7.32 (0.68)
<i>Number of Casters</i>	4	4	4
<i>Condensing Unit Size</i>	3/8 HP	1/2 HP	1/2 HP
<i>Refrigerant</i>	R-134a	R-404a	R-404a
<i>Electrical Characteristics</i>	115/60/1	115/60/1	115/60/1
<i>Cord and Plug Furnished</i>	Yes	Yes	Yes
<i>NEMA Plug Configuration</i>	5-15P	5-15P	5-15P
<i>Total Amp Draw</i>	5.3	7.5	7.5

Specifications subject to change without notice.



Revision Date: 03/15
 ©2015 Nor-Lake, Inc.
 Printed in the USA
 Part Number: 146623

