



ADVANTEDGE™ UNDERCOUNTER / WORKTABLE FREEZERS



PROJECT:

 ITEM NUMBER:

 MODEL NUMBER:

UNDERCOUNTER / WORKTABLE FREEZERS

SPECIFICATIONS FOR: NLUF27, NLUF48, NLUF60

- **Finish:** Stainless steel interior and exterior.
- **Insulation:** Complete cabinet and doors are foamed-in-place with polyurethane insulation.
- **Hardware:** Curved handle with recessed pocket with one vinyl coated shelf per door, 6" diameter casters standard.
- **Electrical:** 115 volt, 60 Hz, 1 phase with cord and plug.
- **Refrigeration:** Self contained forced air refrigeration system. The condensate is collected and automatically evaporated from an energy efficient hot gas style vaporizer. Refrigerant flow is controlled by a capillary tube. R-134a refrigerant for NLUF27 and R-404a for NLUF48 and NLUF60. Temperature range: -1°F to -11°F.
- **Approvals:** UL, C-UL and ETL Sanitation listed **

STANDARD FEATURES

- Air cooled condensing unit
- Automatic condensate vaporizer
- Automatic defrost
- Capillary tube system
- Casters
- Curved handle with recessed pocket
- Magnetic gaskets
- Self closing doors
- Stainless steel interior and exterior
- UL, C-UL and ETL Sanitation listed **
- Vinyl coated shelves
- Warranties: 3 year parts & labor, 5 year compressor

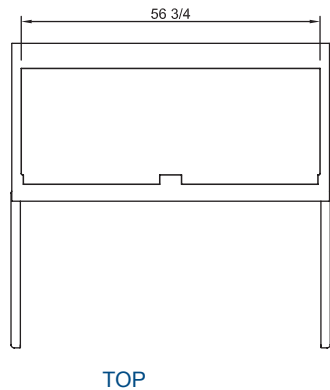
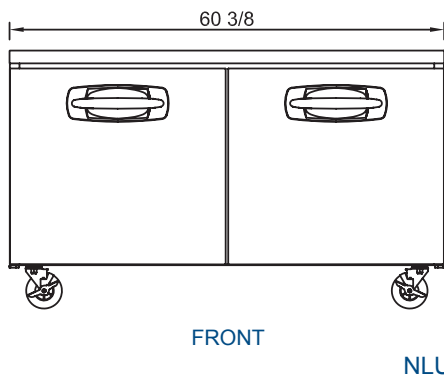
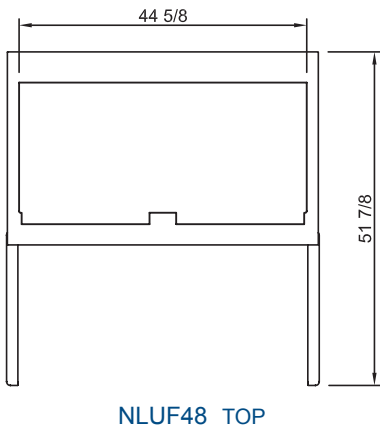
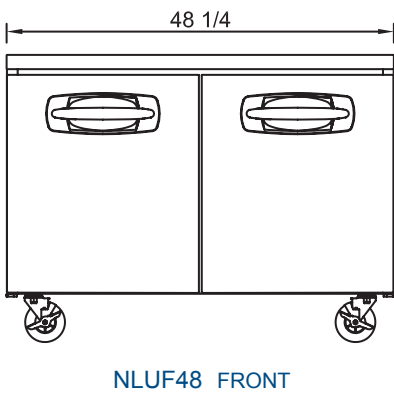
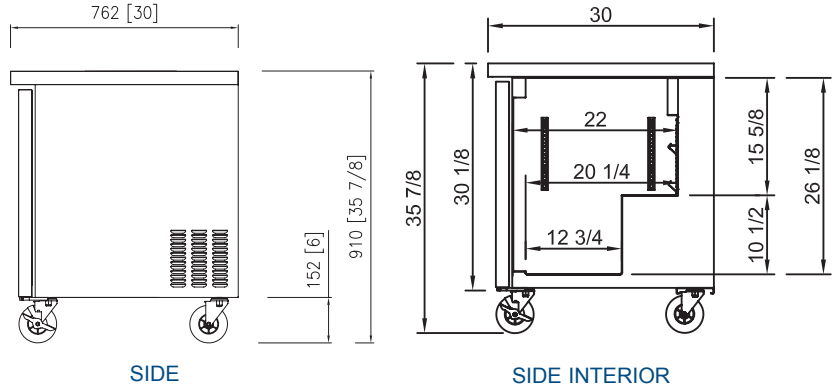
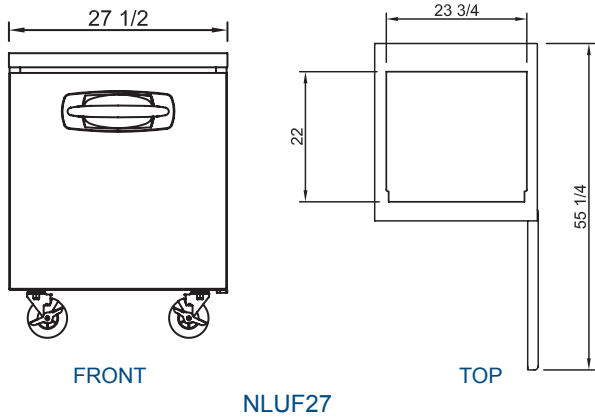
OPTIONAL FEATURES*

- Additional shelves
- Backsplash
- Low profile casters
- Overshelf assemblies



Nor-Lake, Inc.
 Registered to ISO 9001:2008
 File No. 10001816

* Most options are available two weeks from receipt of order. Please contact us for specific questions.
 ** C-UL is Underwriters Laboratories Safety Certification Mark which indicates that UL has tested the equipment to applicable CSA Standards.
 ** UL-Sanitation is Underwriters Laboratories Safety Certification Mark which indicates that UL has tested the equipment to applicable NSF Standards.



SPECIFICATIONS

Models	NLUF27	NLUF48	NLUF60
Crated Height	36-1/4"	36-1/4"	36-1/4"
Crated Width	30-1/8"	51-1/8"	63"
Crated Depth	33-1/2"	33-1/2"	33-1/2"
Crated Weight (lbs.)	207	298	350
Interior Height	26-1/8"	26-1/8"	26-1/8"
Interior Width	23-3/4"	44-5/8"	56-3/4"
Interior Depth	20-1/4"	20-1/4"	20-1/4"
Overall Height	35-7/8"	35-7/8"	35-7/8"
Overall Width	27-1/2"	48-1/4"	60-3/8"
Overall Depth	30"	30"	30"
Gross Cubage (ft. ³)	7	13	16
Number of Shelves	1	2	2
Number of Casters	4	4	4
Condensing Unit Size	3/8 HP	1/2 HP	1/2 HP
Refrigerant	R-134a	R-404a	R-404a
Electrical Characteristics	115/60/1	115/60/1	115/60/1
Cord and Plug Furnished	Yes	Yes	Yes
Nema Plug Configuration	5-15P	5-15P	5-15P
Total Amp Draw	8.3	8.9	8.9

Specifications subject to change without notice.



Revision Date: 03/13
 ©2013 Nor-Lake, Inc.
 Printed in the USA
 Part Number: 146623

