



NOVA™ V REFRIGERATORS



NR241

NR522

NR803

PROJECT:

ITEM NUMBER:

MODEL NUMBER:

1, 2 & 3 door REFRIGERATORS

SPECIFICATIONS FOR: NR241, NR522 & NR803

- **Exterior finish:** Exterior front, sides and doors are stainless steel. The exterior top, bottom and back are galvanized steel. All exterior joints and seams fold in without lap joints. No exposed raw edges.
- **Interior finish:** Interior liner and interior door panel are stainless steel.
- **Insulation:** The complete cabinet and door(s) are foamed-in-place with polyurethane insulation.
- **Hardware:** Heavy duty, pivot hinges; centered key locks; horizontal work flow pull handles; self adjusting magnetic gaskets; 4" dia. casters (4 casters on one and two door models and six casters on three door model); and 3 epoxy coated shelves per door section - standard.
- **Electrical:** All models are standard with an interior incandescent light activated by switches for each door.
- **Instrumentation:** Microprocessor with digital display.
- **Refrigeration:** Complete top mounted refrigeration system. A copper tube, aluminum fin evaporator. The condensate is collected and automatically evaporated from an electric evaporator. Refrigerant flow is controlled by a capillary tube. R-134a refrigerant. Operating temperature: 38°F.
- **Approvals:**
 - UL listed
 - C-UL listed**
 - UL Sanitation listed**
 - Energy Star
 - MEA listed

STANDARD FEATURES

- Air-cooled condensing unit
- Automatic condensate evaporation
- Automatic defrost
- Casters
- Epoxy coated shelves
- Capillary tube system
- Field reversible doors
- Horizontal work flow handle
- Key locks
- Magnetic gasketing
- Microprocessor with digital display
- Operating temperature: 38°F.
- Polyurethane insulation
- R-134 refrigerant
- Recessed interior light
- Stainless steel interior
- Stainless steel exterior
- Stocked for same day shipment
- UL, C-UL & UL Sanitation listed**
- Energy Star
- MEA listed
- Warranties: 1 year parts plus 18 month labor/service

OPTIONAL FEATURES*

- Alarm systems
- Extra shelves
- Full glass doors
- Half glass doors
- Half solid doors
- Legs in lieu of casters
- Pan slides
- Stainless steel backs
- Thermal expansion valve
- 220/50/1 CE approved for export
- Warranties: 5 year compressor

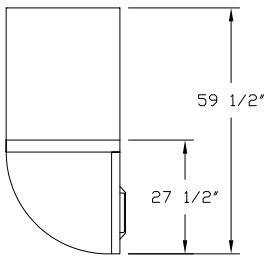


Nor-Lake, Inc.
 Registered to ISO 9001:2000
 File No. A3204

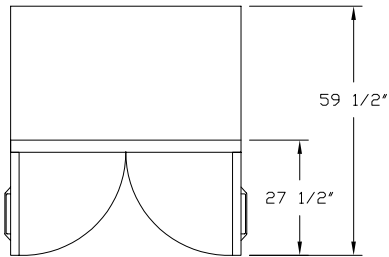
* Most options are available two weeks from receipt of order. Please contact us for specific questions.

**C-UL is Underwriters Laboratories Safety Certification Mark which indicates that UL has tested the equipment to applicable CSA Standards.

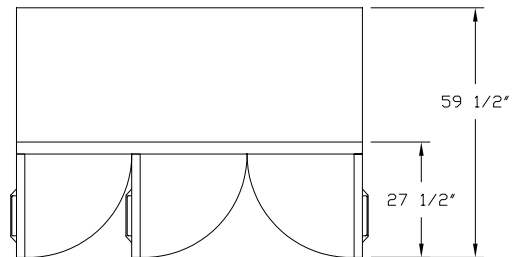
**UL Sanitation is Underwriters Laboratories Sanitation Mark which indicates that UL has tested the equipment to applicable NSF Standards.



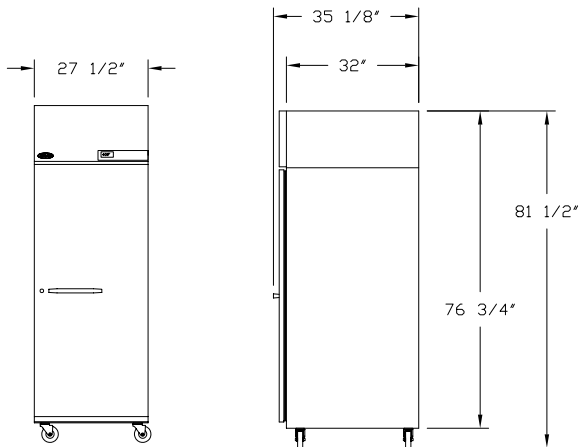
NR241



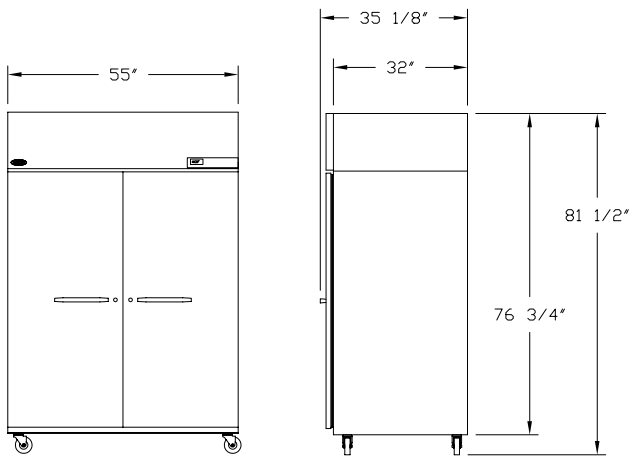
NR522



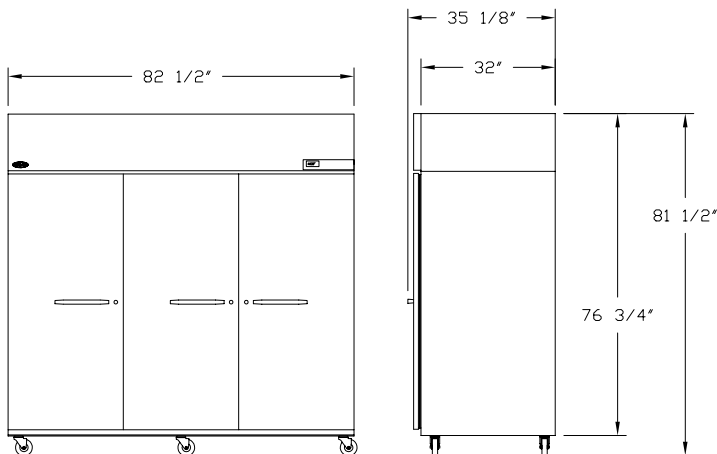
NR803



NR241



NR522



NR803

SPECIFICATIONS

	NR241	NR522	NR803
<i>Crated Height</i>	81"	81"	81"
<i>Crated Width</i>	31"	59"	86"
<i>Crated Depth</i>	38"	38"	38"
<i>Crated Weight (lbs)</i>	365	545	750
<i>Interior Height</i>	59"	59"	59"
<i>Interior Width</i>	23-1/2"	51"	78-1/2"
<i>Interior Depth</i>	28"	28"	28"
<i>Overall Height*</i>	81-1/2"	81-1/2"	81-1/2"
<i>Overall Width</i>	27-1/2"	55"	82-1/2"
<i>Overall Depth</i>	34-7/8"	34-7/8"	34-7/8"
<i>Gross Cubage (ft.³)</i>	24.1	51.9	79.9
<i>Shelf Area (sq. ft.)</i>	16.6	36.1	55.6
<i>Number of Shelves</i>	3	6	9
<i>Number of Casters</i>	4	4	6
<i>Number of Legs</i>	4	4	6
<i>Condensing Unit Size</i>	1/4	1/2	3/4
<i>Refrigerant</i>	R-134a	R-134a	R-134a
<i>Electrical Characteristics</i>	115/60/1	115/60/1	115/208-230/60/1
<i>Cord & Plug Furnished</i>	Yes	Yes	Yes
<i>Maximum Fuse Size</i>	15	15	15
<i>NEMA Plug Configuration</i>	5-15P	5-15P	L14-20P
<i>Total Amp Draw</i>	8.6	10.7	8.3

* The overall heights shown in the table and drawings are with casters. With optional 6" legs the overall height is 82-3/4".

Specifications subject to change without notice.



Revision Date: 2/05
 © 2005 NOR-LAKE, INC.
 Printed in the U.S.A.
 Part Number: 039979

