

NOR-LAKE, INCORPORATED  
 727 Second Street  
 P.O. Box 248  
 Hudson, Wisconsin 54016

800-955-5253  
 715-386-2323  
 800-388-5253 Parts  
 715-386-6149 FAX  
 www.norlake.com



# NOVA™ HEATED CABINETS



NW211

NW482

PROJECT:  
 .....  
 ITEM NUMBER:  
 .....  
 MODEL NUMBER:  
 .....

HEATED CABINETS

## SPECIFICATIONS FOR: NW211 & NW482

- **Exterior finish:** Exterior front, sides and doors are stainless steel. The exterior top, bottom and back are galvanized steel. All exterior joints and seams fold in without lap joints. No exposed raw edges.
- **Interior finish:** Interior liner and interior door panel are stainless steel.
- **Insulation:** The complete cabinet and door(s) are foamed-in-place with polyurethane insulation.
- **Hardware:** Heavy duty, pivot hinges; centered key locks; full length, stainless steel pull handles; self adjusting magnetic gaskets; 4" dia. casters; and nickel chrome shelves.
- **Electrical:** All models are standard with an interior incandescent light activated by a switch for the door.
- **Instrumentation:** Digital LED thermometer reading degrees F.
- **Heating system:** Electrically operated 1500 watt heating system for 1 door model and a 3000 watt heating system for 2 door model is controlled by a thermostat mounted in front of the cabinet. Heating element is located in the interior ducting. Forced air distribution maintains desired uniform temperature throughout the cabinet. Operating temperature is adjustable from 180°F to a maximum of 200°F.
- **Approvals:**
  - UL listed
  - C-UL listed\*\*
  - UL Sanitation listed\*\*

## STANDARD FEATURES

- Casters
- Digital thermometer
- Ducted air distribution
- Field reversible door
- Full length stainless steel handles
- Incandescent interior light
- Key locks
- Magnetic gasketing
- Nickel chrome shelves
- Operating temperature: To 200°F.
- Polyurethane insulation
- Stainless steel exterior
- Stainless steel interior
- Stocked for same day shipment
- UL, C-UL & UL Sanitation listed\*\*
- Warranties: 90 day labor plus 1 year parts

## OPTIONAL FEATURES\*

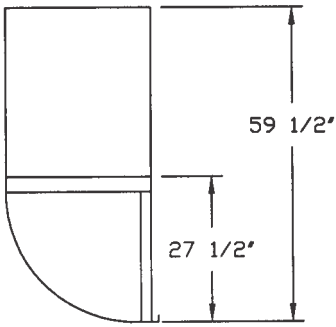
- Alarm systems
- Bun pans
- Half solid doors
- Legs in lieu of casters
- Patterned stainless steel, dent resistant doors
- Shelves (half or full door)
- Stainless steel pan slides
- Stainless steel back
- Warranties: 1 year service



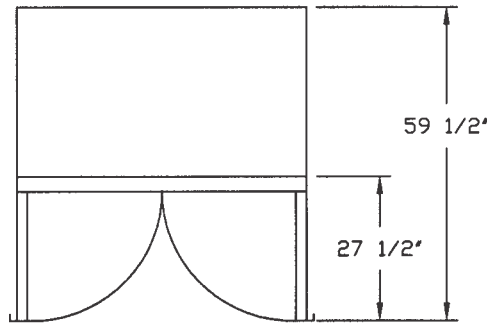
Nor-Lake, Inc.  
 Registered to ISO 9001  
 File No. A3204

\* Most options are available two weeks from receipt of order. Please contact us for specific questions.  
 \*\*C-UL is Underwriters Laboratories Safety Certification Mark which indicates that UL has tested the equipment to applicable CSA Standards.  
 \*\*UL Sanitation is Underwriters Laboratories Sanitation Mark which indicates that UL has tested the equipment to applicable NSF Standards.

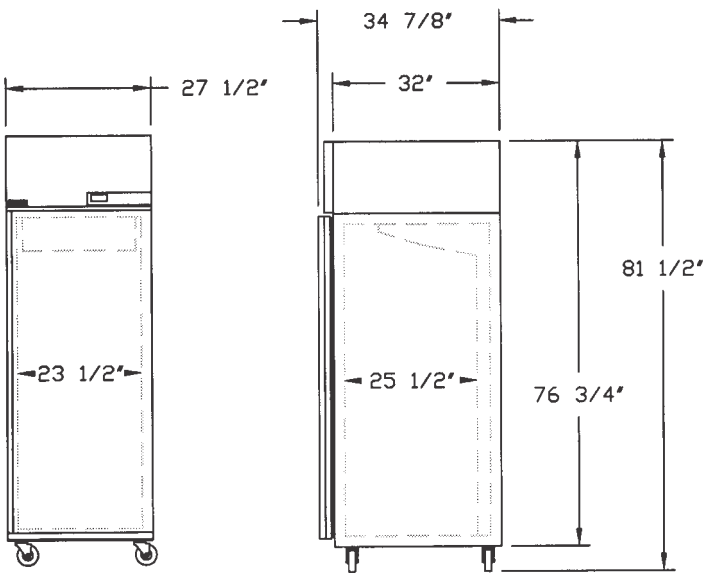
TOP



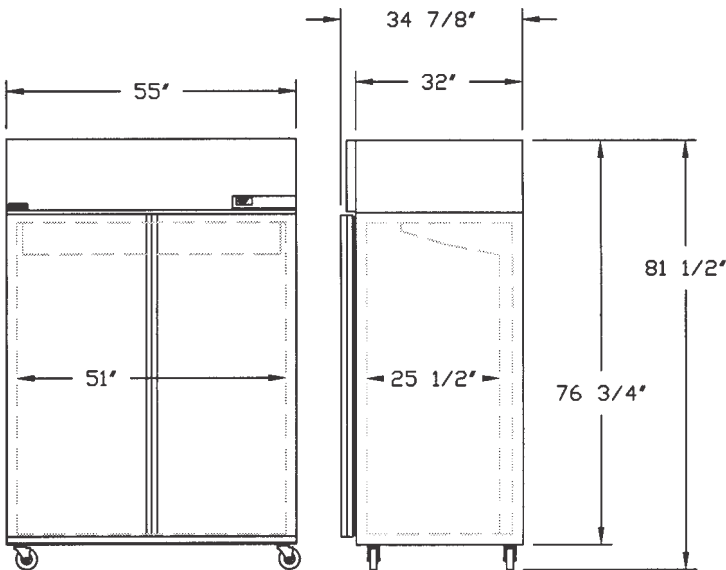
NW211



NW482



NW211



NW482

FRONT

SIDE

**SPECIFICATIONS**

	NW211	NW482
Crated Height	81"	81"
Crated Width	31"	59"
Crated Depth	38"	38"
Crated Weight (lbs)	300	545
Interior Height	59"	59"
Interior Width	23-1/2"	51"
Interior Depth	28"	28"
Overall Height*	81-1/2"	81-1/2"
Overall Width	27-1/2"	55"
Overall Depth	34-7/8"	34-7/8"
Gross Cubage (ft. <sup>3</sup> )	22.5	48.8
Number of Shelves	3	6
Shelf Area (sq. ft.)	16.6	36.1
Number of Casters	4	4
Number of Legs (Opt.)	4	4
Heater Wattage	1500	3000
Electrical Characteristics	115/60/1	115/208-230/60/1
Cord & Plug Furnished	Yes	No
Maximum Fuse Size	20	20
NEMA Plug Configuration	5-20P	N/A
Total Amp Draw	12.5	15.2

\* The overall heights shown in the table and drawings are with casters. With 6" legs the overall height is 82-3/4".

Specifications subject to change without notice.

SMALL BUSINESS & WOMAN OWNED



Revision Date: 4/00  
 NOR-LAKE, INC. 2000  
 Printed in the U.S.A.  
 Part Number: 101386