

NOR-LAKE, INCORPORATED  
 727 Second Street  
 P.O. Box 248  
 Hudson, Wisconsin 54016

800-955-5253  
 715-386-2323  
 866-961-5253 Parts  
 800-388-5253 Service  
 715-386-6149 FAX  
 www.norlake.com



# NOVA™ PASS-THRU REFRIGERATORS



**PR806**

PROJECT:

.....

ITEM NUMBER:

.....

MODEL NUMBER:

.....

1, 2 & 3 DOOR PASS-THRU REFRIGERATORS

## SPECIFICATIONS FOR: PR242-244, PR524-528, PR806-812

- **Exterior finish:** Exterior front, sides and doors are stainless steel. The exterior top and bottom are galvanized steel. All exterior joints and seams fold in without lap joints. No exposed raw edges.
- **Interior finish:** Interior liner and interior door panel are stainless steel.
- **Insulation:** The complete cabinet and door(s) are foamed-in-place with polyurethane foam insulation.
- **Hardware:** Heavy duty, pivot hinges; centered key locks; horizontal work flow handles; self adjusting magnetic gaskets; 4" dia. casters (four casters on 1 and 2 door models with 2 locking and six casters standard on 3 door model). 3 epoxy coated shelves per door - standard.
- **Electrical:** All models are standard with complete perimeter, anti-condensate door opening heater wires and an interior LED light activated by switches for each door.
- **Instrumentation:** Digital LED thermometer reading tenths of a degree F.
- **Refrigeration:** Complete top mounted refrigeration system. A copper tube, aluminum fin evaporator. The condensate is collected and automatically evaporated from a hot gas evaporator vaporizer. Refrigerant flow is controlled by a capillary tube. R134a refrigerant. Operating temperature: 38°F.

## STANDARD FEATURES

- Air-cooled condensing unit
- Automatic condensate evaporation
- Automatic defrost
- Capillary tube system
- Casters standard
- Digital thermometer
- Door opening heaters
- Epoxy coated shelves
- Field reversible doors
- Horizontal work flow handle
- Key locks
- Magnetic gasketing
- Operating temperature: 38°F.
- Polyurethane foam insulation
- Recessed interior light
- Stainless steel interior
- Stainless steel exterior
- Stocked for same day shipment
- UL, C-UL & UL Sanitation
- Warranties: 12 months parts & labor, 5 year compressor

## OPTIONAL FEATURES\*

- Extra shelves
- Full door pan slides
- Full glass doors (one or both sides)
- Half door pan slides
- Half glass doors (one or both sides)
- Half solid doors
- Legs in lieu of casters
- Thermal expansion valve

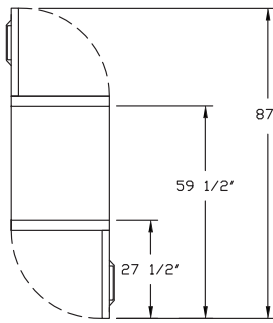


Nor-Lake, Inc.  
 Registered to ISO 9001:2008  
 File No. 10001816

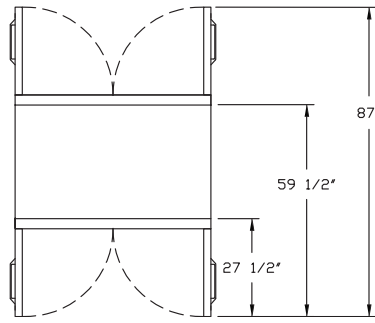
\* Most options are available two weeks from receipt of order. Please contact us for specific questions.

\*\* C-UL is Underwriters Laboratories Safety Certification Mark which indicates that UL has tested the equipment to applicable CSA Standards.

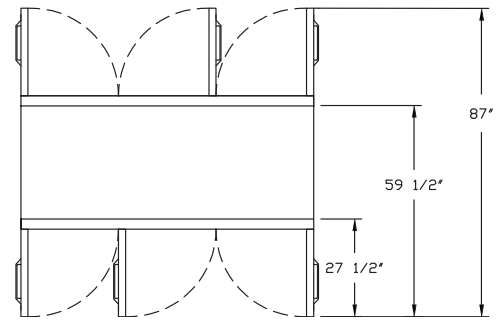
\*\* UL Sanitation is Underwriters Laboratories Sanitation Mark which indicates that UL has tested the equipment to applicable NSF Standards.



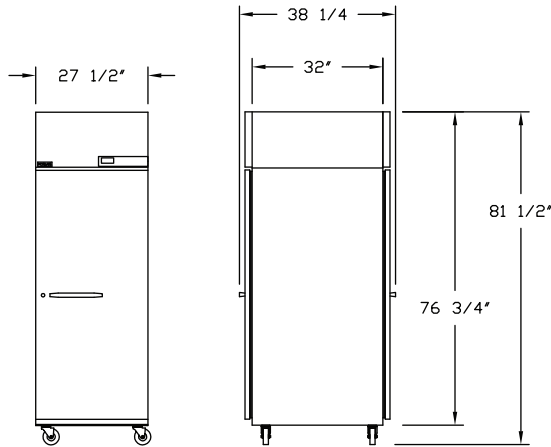
PR242



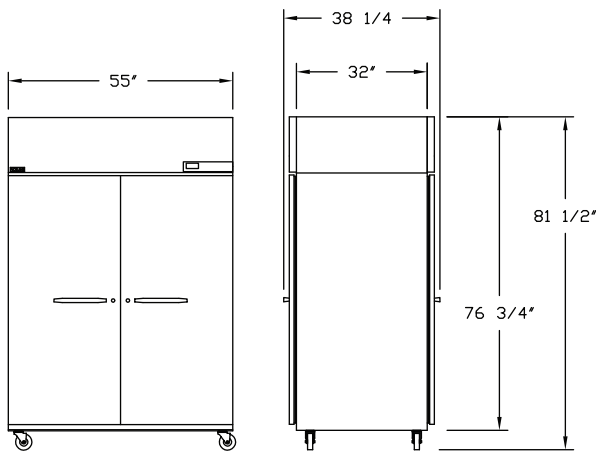
PR524



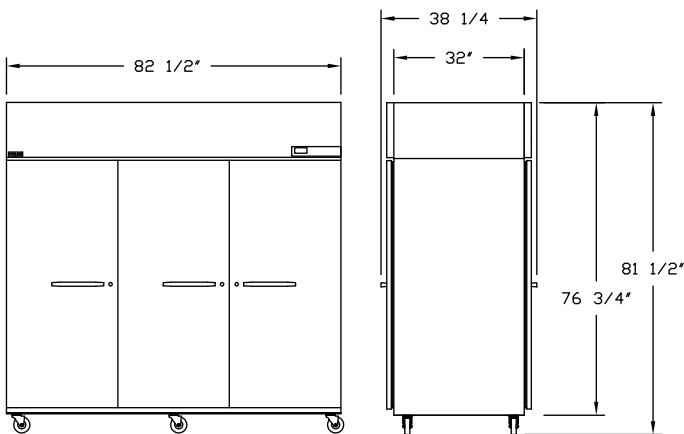
PR806



PR242



PR524



PR806

FRONT

SIDE

**SPECIFICATIONS**

Model	PR242	PR524	PR806
Crated Height	81"	81"	81"
Crated Width	31"	59"	86"
Crated Depth	38"	38"	38"
Crated Weight (lbs.)	470	758	921
Interior Height	59"	59"	59"
Interior Width	23-1/2"	51"	78-1/2"
Interior Depth	32"	32"	32"
Overall Height	81-1/2"	81-1/2"	81-1/2"
Overall Width	27-1/2"	55"	82-1/2"
Overall Depth	38-1/4"	38-1/4"	38-1/4"
Gross Cubage (ft. <sup>3</sup> )	25.6	55.7	85.8
Shelf Area (sq. ft.)	12.8	28.6	42.84
Number of Shelves	3	6	9
Number of Casters	4	4	6
Number of Legs (optional)	4	4	6
Condensing Unit Size	1/3	1/2	3/4
Refrigerant	R-134a	R-134a	R-134a
Electrical Characteristics	1115/60/1	115/60/1	115/60/1
Cord and Plug Furnished	Yes	Yes	Yes
Maximum Fuse Size	15	20	15
Nema Plug Configuration	5-15P	5-20P	5-15P
Total Amp Draw	8.6	10.7	10.4

Specifications subject to change without notice.



Revision Date: 01/11  
 © 2011 NOR-LAKE, INC.  
 Printed in the U.S.A.  
 Part Number: 040343

