

NOR-LAKE, INCORPORATED
 727 Second Street
 P.O. Box 248
 Hudson, Wisconsin 54016

800-955-5253
 715-386-2323
 866-961-5253 Parts
 800-388-5253 Service
 715-386-4291 FAX
 www.norlake.com



NOVA™ HEATED PASS-THRU CABINETS



PW252

PW554

PROJECT:

 ITEM NUMBER:

 MODEL NUMBER:

HEATED PASS-THRU CABINETS

SPECIFICATIONS FOR: PW252 & PW554

- **Exterior finish:** Exterior front, sides, back and doors are stainless steel. The exterior top and bottom are galvanized steel. All exterior joints and seams fold in without lap joints. No exposed raw edges.
- **Interior finish:** Interior liner and interior door panels are stainless steel.
- **Insulation:** The complete cabinet and door(s) are foamed-in-place with polyurethane insulation.
- **Hardware:** Heavy duty, pivot hinges; centered key locks; horizontal work flow handles; self adjusting magnetic gaskets; 4" dia. casters; and nickel chrome shelves.
- **Electrical:** All models are standard with an interior incandescent light activated by a door switch.
- **Instrumentation:** Digital LED thermometer reading degrees F.
- **Heating system:** Electrically operated 1500 watt heating system for 2 door model and a 3000 watt heating system for the 4 door model, is controlled by a thermostat mounted in front of the cabinet. Heating element is located in the interior ducting. Forced air distribution maintains desired uniform temperature throughout the cabinet. Operating temperature is adjustable from 180° F to a maximum of 200°F.
- **Approvals:** UL and C-UL Listed** UL Sanitation listed**

STANDARD FEATURES

- Casters (one door model)
- 4" Legs (two door model)
- Digital thermometer
- Ducted air distribution
- Field reversible door
- Horizontal work flow handle
- Incandescent interior light
- Key locks
- Magnetic gasketing
- Nickel chrome shelves
- Operating temperature: To 200° F
- Polyurethane insulation
- Stainless steel exterior
- Stainless steel interior
- UL, C-UL & UL Sanitation listed**
- Warranties: 12 months parts and labor

OPTIONAL FEATURES*

- Alarm systems
- Bun pans
- Extra shelves
- Half solid doors
- Legs in lieu of casters
- Stainless steel pan slides
- Glass door one side (single section only)

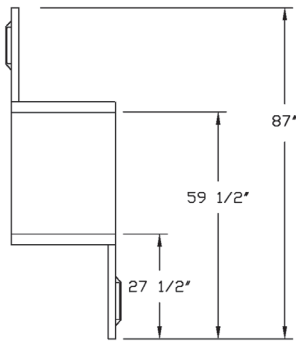


Nor-Lake, Inc.
 Registered to ISO 9001:2008
 File No. 10001816

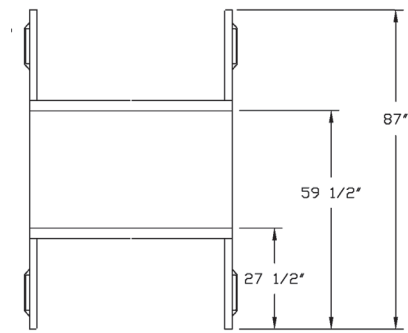
* Most options are available two weeks from receipt of order. Please contact us for specific questions.

**C-UL is Underwriters Laboratories Safety Certification Mark which indicates that UL has tested the equipment to applicable CSA Standards.

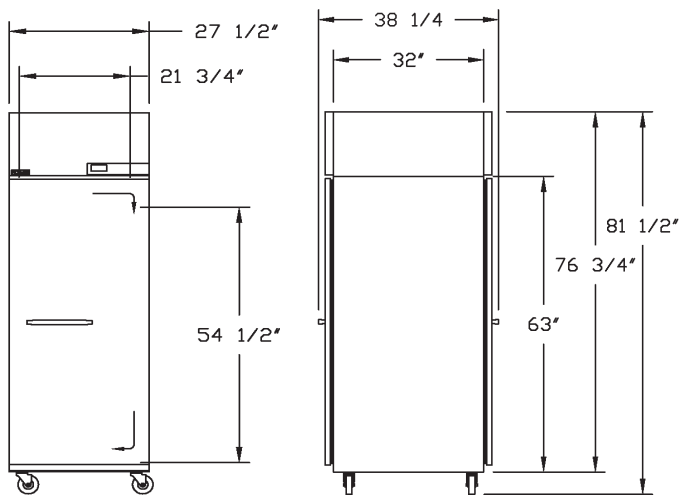
**UL Sanitation is Underwriters Laboratories Sanitation Mark which indicates that UL has tested the equipment to applicable NSF Standards.



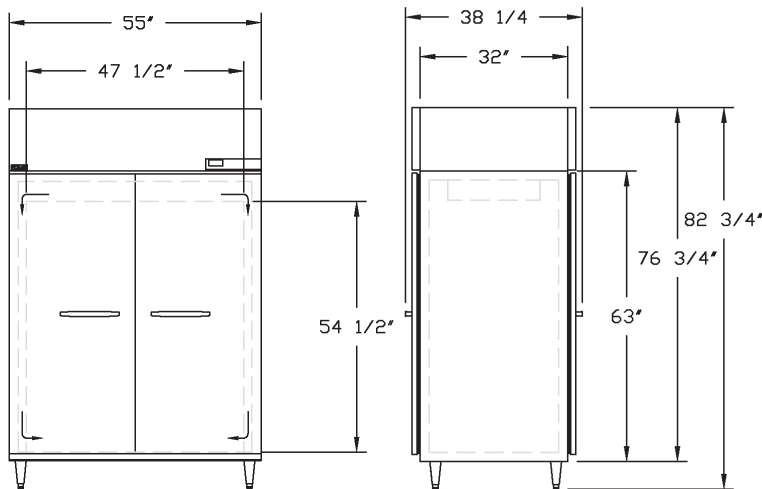
PW252



PW554



PW252



PW554

FRONT

SIDE

SPECIFICATIONS

Models	PW252	PW554
Crated Height	81"	81"
Crated Width	31"	59"
Crated Depth	40-1/2"	40-1/2"
Crated Weight (lbs)	350	550
Interior Height	59"	59"
Interior Width	23-1/2"	51"
Interior Depth	32"	32"
Overall Height*	81-1/2"	82-3/4"
Overall Width	27-1/2"	55"
Overall Depth	38-1/4"	38-1/4"
Gross Cubage (ft.3)	25.6	55.7
Number of Shelves	3	6
Shelf Area (sq. ft.)	12.76	28.58
Number of Casters	4	N/A
Number of Legs	4 (Optional)	4
Heater Wattage	1500	3000
Electrical Characteristics	115/60/1	115/208-230/60/1
Cord & Plug Furnished*	Yes	Yes
Nema Plug Configuration	20	20
Maximum Fuse Size	5-20P	L14-20P
Total Amp Draw	12.5	13.7

Specifications subject to change without notice.

**The overall heights shown in the table and drawings are with casters. With 6" legs the overall height is 82-3/4".*



Revision Date: 10/12
 © 2012 NOR-LAKE, INC.
 Printed in the U.S.A.
 Part Number: 117511

