



## REFRIGERATED PREPARATION TABLES



### SPECIFICATIONS: RR152, RR192, RR243, RR283 & RR324

- **Exterior Finish:** The exterior front, sides, top and doors are stainless steel. The bottom and back are galvanized steel.
- **Interior Finish:** Interior liner and interior door panel are smooth aluminum.
- **Insulation:** The complete cabinet and doors are foamed-in-place with polyurethane insulation.
- **Hardware:** Pull door handles, one adjustable gray epoxy shelf per door, four casters.
- **Electrical:** 115/60/1, cord and plug furnished.
- **Refrigeration:** Base mount refrigeration system. Separate temperature controls for the pan well and storage areas. Automatic defrost in the storage area with a separate power switch in the pan well area for easy manual defrost. Refrigerated preparation tables may be built in on three sides. The air intake and exhaust is through the base of the unit. Maximum operating sound level 56-59 dBA. Operating temperature: 33° - 41°F in pan well area, 38°F in storage area.
- **Approvals:** UL listed  
C-UL listed\*\*  
UL Sanitation listed to NSF #7\*\*



Nor-Lake, Inc.  
Registered to ISO 9001:2008  
File No. 10001816

## STANDARD FEATURES

- Air-cooled condensing unit
- Automatic defrost in storage area
- Manual defrost in pan well area
- Expansion valve control
- Casters standard equipment
- Stainless steel exterior (galv. back)
- 2 stainless steel doors on RR152 & RR192
- 3 stainless steel doors on RR243 & RR283
- 4 stainless steel doors on RR324
- Pan well holds (maximum):  
RR152: (6) 1/3 or (12) 1/6 size  
RR192: (8) 1/3 or (16) 1/6 size  
RR243: (9) 1/3 or (18) 1/6 size  
RR283: (11) 1/3 or (22) 1/6 size  
RR324: (12) 1/3 or (24) 1/6 size
- Pans not included
- Maximum operating sound level 56-59 dBA
- Operating temperature: 33°F - 41°F in pan well area, 38°F storage area
- Polyurethane insulation
- Raised condiment rail
- Stainless steel lids for condiment rail

## STANDARD FEATURES

- Stocked for same day shipment
- Gray epoxy shelves
- UL, C-UL & UL Sanitation listed to NSF #7\*\*
- Warranties: 18 month labor plus 1 year parts

## OPTIONAL FEATURES\*

- 6" legs
- Cutting board (20" deep)
- Door locks
- Full door pan slides
- Painted enamel front, back and sides
- Polycarbonate pans
- Refrigerated drawers (set of 2 per door opening) except right door
- Stainless steel exterior (S/S back)
- Stainless steel interior
- Stainless steel pans
- Warranties: 5 year compressor plus 1 year service

\* Most options are available two weeks from receipt of order. Please contact us for specific questions.

\*\* C-UL is Underwriters Laboratories Safety Certification Mark which indicates that UL has tested the equipment to applicable CSA Standards.

\*\* UL Sanitation is Underwriters Laboratories Sanitation Mark which indicates that UL has tested the equipment to applicable NSF Standards.

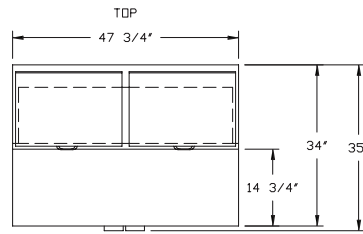
## SPECIFICATIONS

	<b>RR152</b>	<b>RR192</b>	<b>RR243</b>	<b>RR283</b>	<b>RR324</b>
<i>Crated Height</i>	50-1/4"	50-1/4"	50-1/4"	50-1/4"	50-1/4"
<i>Crated Width</i>	53"	65"	77"	89"	101"
<i>Crated Depth</i>	40-1/2"	40-1/2"	40-1/2"	40-1/2"	40-1/2"
<i>Crated Weight (lbs.)</i>	420	450	470	480	490
<i>Interior Height</i>	17-1/2"	17-1/2"	17-1/2"	17-1/2"	17-1/2"
<i>Interior Width</i>	43-1/2"	55-1/2"	67-1/2"	79-1/2"	91-1/2"
<i>Interior Depth</i>	28-1/4"	28-1/4"	28-1/4"	28-1/4"	28-1/4"
<i>Overall Height</i>	43-1/2"	43-1/2"	43-1/2"	43-1/2"	43-1/2"
<i>Overall Width</i>	47-3/4"	59-3/4"	71-3/4"	83-3/4"	95-3/4"
<i>Overall Depth</i>	35"	35"	35"	35"	35"
<i>Gross Cubage (ft.<sup>3</sup>)</i>	15	19	24	28	32
<i>Shelf Area (sq. ft.) Incl. Bottom</i>	15.3	19.9	24.3	28.9	33.4
<i>Number of Shelves</i>	1 per door	1 per door	1 per door	1 per door	1 per door
<i>Number of Casters</i>	4	4	4	4	4
<i>Number of Legs</i>	4 optional	4 optional	4 optional	4 optional	4 optional
<i>Condensing Unit Size</i>	1/4	1/4	1/3	1/3	1/3
<i>Refrigerant</i>	R-134a	R-134a	R-134a	R-134a	R-134a
<i>Electrical Characteristics</i>	115/60/1	115/60/1	115/60/1	115/60/1	115/60/1
<i>Cord &amp; Plug Furnished</i>	Yes	Yes	Yes	Yes	Yes
<i>Maximum Fuse Size</i>	15	15	15	15	15
<i>NEMA Plug Configuration</i>	5-15P	5-15P	5-15P	5-15P	5-15P
<i>Total Amp Draw</i>	9.1	8.5	8.8	8.8	8.8

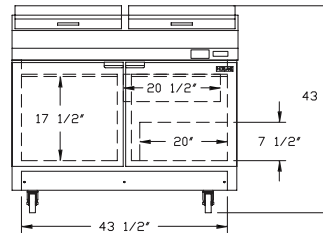
Specifications subject to change without notice.



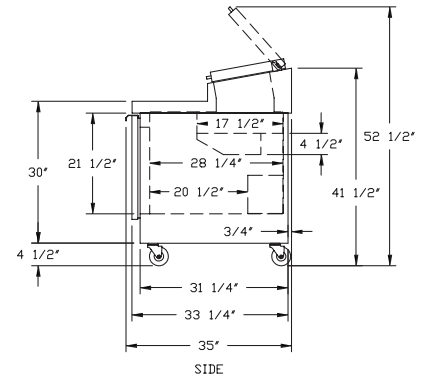
**RR152**



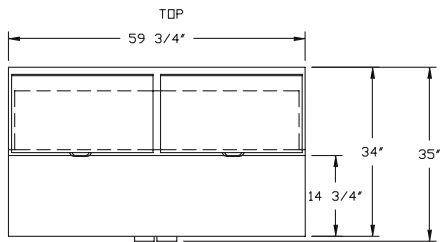
DOOR OPENINGS  
WIDTH: 20 1/4"  
HEIGHT: 18"



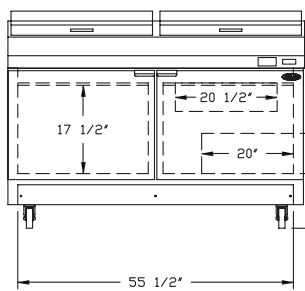
FRONT



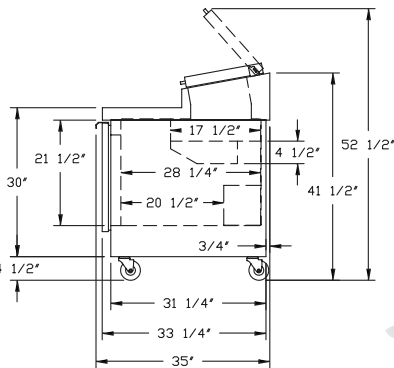
SIDE



DOOR OPENINGS  
WIDTH: 26 1/4"  
HEIGHT: 18"



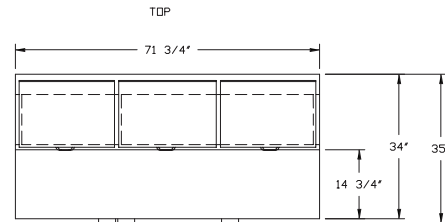
FRONT



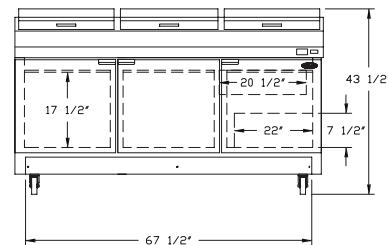
SIDE



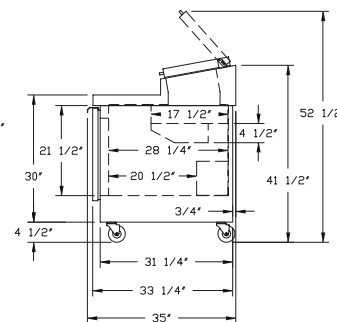
**RR192**



DOOR OPENINGS  
WIDTH: 20 1/4"  
HEIGHT: 18"



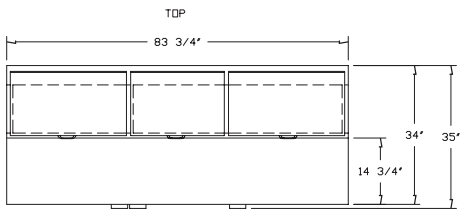
FRONT



SIDE



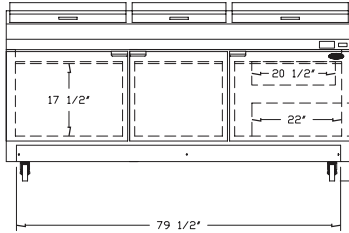
**RR243**



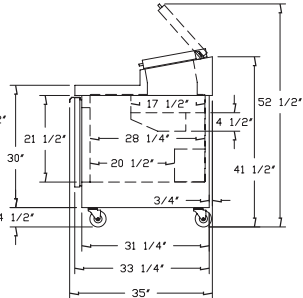
LEFT DOOR  
OPENING  
WIDTH: 26 1/4"  
HEIGHT: 18"

CENTER DOOR  
OPENING  
WIDTH: 20 1/4"  
HEIGHT: 18"

RIGHT DOOR  
OPENING  
WIDTH: 26 1/4"  
HEIGHT: 18"



FRONT



SIDE

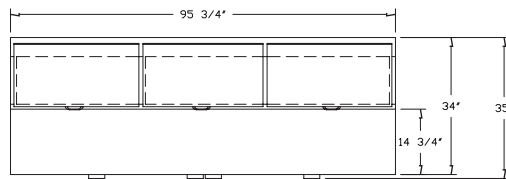


**RR283**

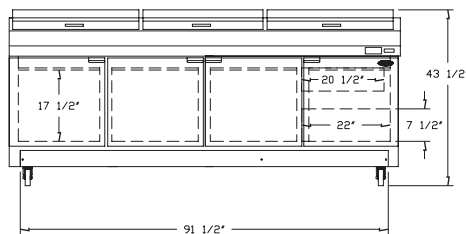


TOP

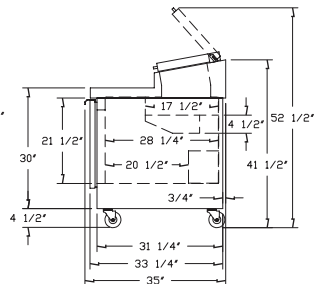
**RR324**



DOOR OPENINGS  
WIDTH: 20 1/4"  
HEIGHT: 18"



FRONT



SIDE



Nor-Lake, Inc.  
Registered to ISO 9001:2008  
File No. 10001816



Revision Date: 1/10  
© 2010 NOR-LAKE, INC.  
Printed in the U.S.A.  
Part Number: 095231