



*with our* **Cook Hearty  
Cook'n Hold Ovens**

- Beef
- Pork
- Chicken
- Seafood
- Turkey
- Veal
- Buffalo
- Potatoes

- Welded stainless steel construction for ease of cleaning and long life
- Control panel accessible from front of unit and through top
- Chrome shelf racks included for use with sheet pans or food service pans (SC-14 = 8, SC-7 = 4)
- Insulated solid stainless steel door
- Silicone rubber door gasket
- Cook'n Hold with 24 hour timer
- Solid state controls
- Fully Insulated

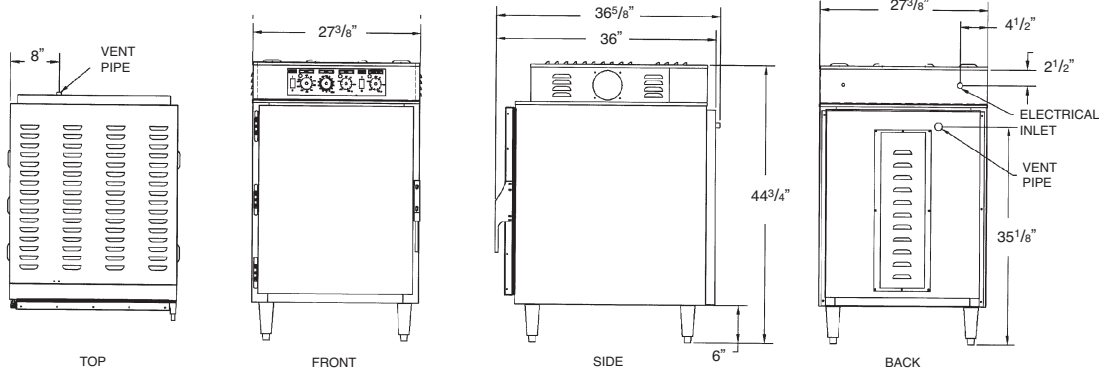
**SC-14  
Slo-Cook'n Hold Oven  
Reach In**



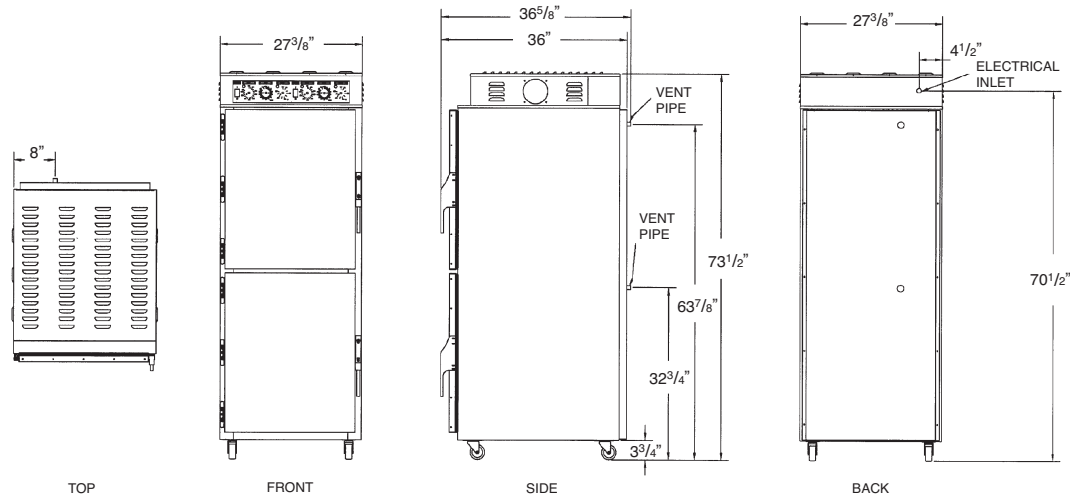
**SC-7  
Slo-Cook'n Hold Oven**



## SC-7 Slo-Cook'n Hold Oven



## SC-14 Reach In Slo-Cook'n Hold Oven



**ELECTRICAL:** 208 or 240 Volt single or three phase is standard. (Please specify at time of order.)

**SERVICE CONNECTIONS:** SC-7 & SC-14 are shipped from factory to be hard wired on site. Single phase uses three wire system. Three phase uses four wire system.

### ELECTRICAL:

Amp Draw	208/1	208/3	240/1	240/3
SC-7	15	10	13	9
SC-14	30	20	26	17

### LISTINGS:

The SC-7 & SC-14 has C-ETL-US and NSF listings.



**INSTALLATION:** Allow four inches on each side and back for ventilation of unit.

### CAPACITY:

	18"x26" Sheet Pans	13"x18" Sheet Pans	Spacing
SC-7	7	14	3-1/2"
SC-14	14	28	3-1/2"

### DIMENSIONS:

SC-7	Height	Width	Depth
Exterior	44-3/4"	27-3/8"	36-5/8"
Interior	29"	18-3/4"	28-7/8"

SC-14	Height	Width	Depth
Exterior	73-1/2"	27-3/8"	36-5/8"
Interior	29"	18-3/4"	28-7/8"

**DOOR SWING:** S-7 AND SC-14 - 27-5/8"

### PACKING SIZE:

**SC-7:** 46" High, 36" Wide, 40" Deep  
(1168 mm High, 915 mm Wide, 1016 mm Deep)

**SC-14:** 87" High, 36" Wide, 40" Deep  
(2210 mm High, 915 mm Wide, 1016 mm Deep)

### SHIPPING WEIGHT:

**SC-7:** 400 Pounds, FOB Menominee, MI 49858  
**SC-14:** 600 Pounds, FOB Menominee, MI 49858



## NU-VU® Food Service Systems

www.nu-vu.com  
5600 13th Street  
Menominee, MI 49858

1-800-338-9886 Toll Free  
1-906-863-4401 Phone  
1-906-863-5889 Fax