

UB-E5-5 Double Floor Model
V-Air ® Oven

Project _____

Item _____

Quantity _____



SIZE:

UB-E5-5 - 78" High, 30- 1/8" Wide, 36" Deep
1982 mm High, 766 mm Wide, 915 mm Deep

NU-VU's UB-E5-5 double five full size pan electric oven features our patented V-AIR ® System. The heat is distributed evenly throughout the oven cavity by the fan located in the top of the oven which blows the air down the inside walls of the cavity and up and out through the holes at each shelf. This gives your product an even bake, top to bottom, side to side and front to back without ever turning pans.

These units also feature flush mount doors, which means no sagging or leaking. Lift off hinges allow for easy cleaning. The lighted oven compartments make it easy for you to do sight baking without having to open the door, disturbing the internal temperature.

The UB-E5-5 has a capacity of 5 full size or 10 half size pans in each oven compartment.

CONSTRUCTION:

- Welded stainless steel
- Fully insulated
- Control panel accessible through top and front of unit
- Heating elements accessible inside of cabinet and through top and side

CONTROLS:

- Solid state controls
- Separate controls for each oven
- Indicator lights for thermostats
- Microswitch fan motor cut-off for each oven

STANDARD FEATURES:

- V-AIR ® technology
- Stainless steel construction
- Full view tempered glass doors
- Separate controls for each compartment
- Silicon rubber door gaskets
- 3" heavy duty casters
- Flush mount, lift off, no sag doors

OPTIONAL FEATURES:

- Cook'n Hold
- Internal steam
- Solid doors(s)
- Product Probe
- 2 speed fan

LABORATORY CERTIFICATION AND APPROVAL



NU-VU ® UB-E5-5 Double Floor Model V-Air

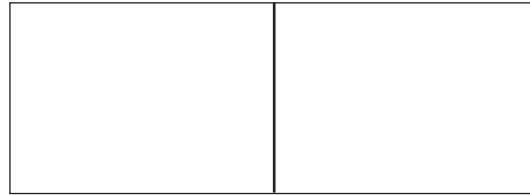
® Oven



NU-VU ® Food Service Systems

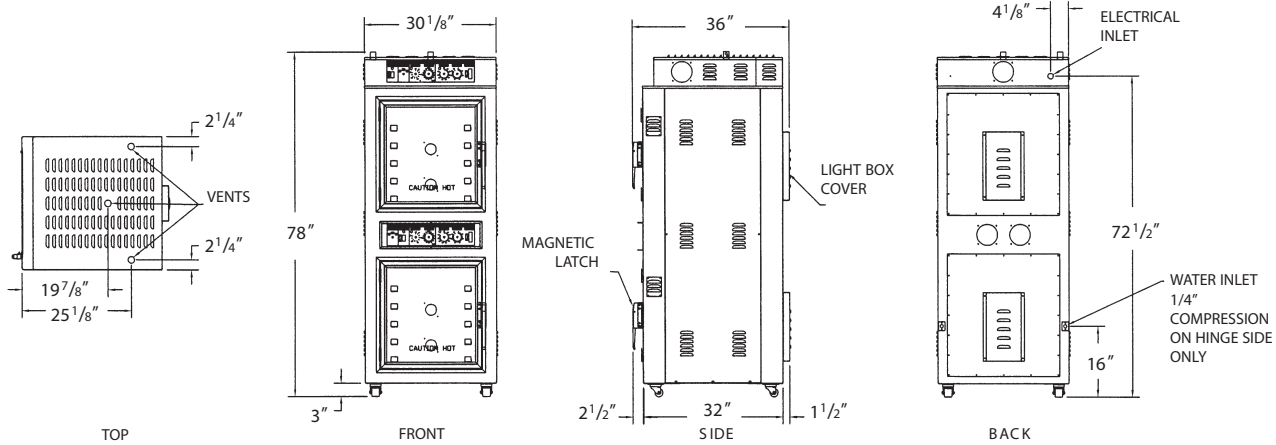
www.nu-vu.com
5600 13th Street
Menominee, MI 49858

1-800-338-9886 Toll Free
1-906-863-4401 Phone
1-906-863-5889 Fax



Approval / Stamp

UB-E5-5 Double Floor Model V-Air[®] Oven



SPECIFICATIONS:

ELECTRICAL:

208 or 240 Volt single or three phase is standard.
(Specify at time of order)

SERVICE CONNECTIONS:

UB-E5-5 is shipped from factory to be hard wired on site.
Single phase uses two wire system. Three phase uses three wire system.

ELECTRICAL:

Amp Draw	208/1	208/3	240/1	240/3
	70	53	61	46

INSTALLATION:

Allow four inches on each side and back of unit for ventilation of oven.

CAPACITY: Per Compartment

	18"x26" Sheet Pans	13"x18" Sheet Pans	Spacing
Oven	5	10	4"

DIMENSIONS:

	Height	Width	Depth
Exterior	78"	30-1/8"	36"
Interior	22-1/4"	18-1/4"	28-1/2"

WATER:

A 1/4" waterline is required if a steam option is selected.

LISTINGS:

The UB-E5-5 has C-ETL-US and ETL sanitation listings.



DOOR SWING: 24-1/4" (616 mm)

PACKING SIZE:

86" High, 36" Wide, 38" Deep
(2184 mm High, 915 mm Wide, 965 mm Deep)

SHIPPING WEIGHT:

680 lbs (308 kg), FOB Menominee, MI 49858

NU-VU[®] UB-E5-5 Double Floor Model V-Air[®] Oven