

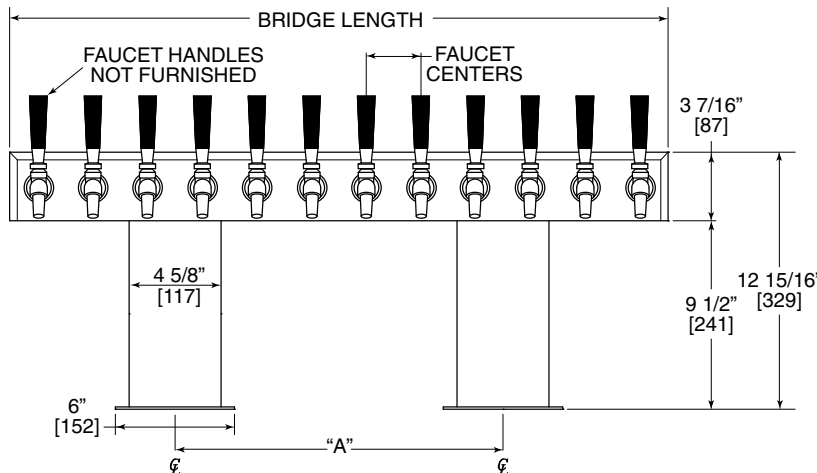
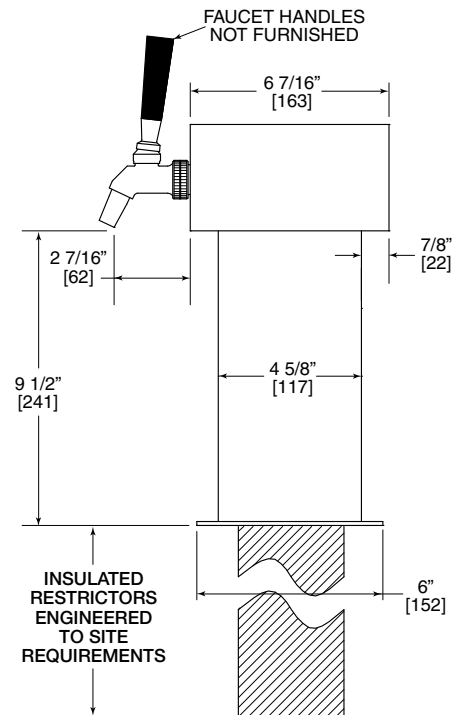
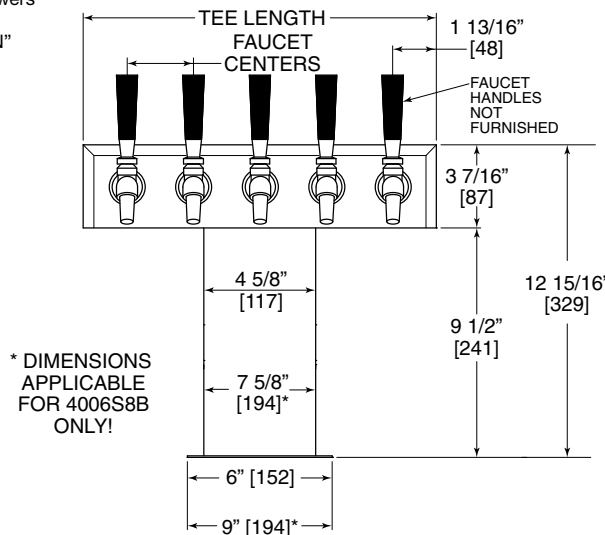
Sizes and Specifications Tee Towers and Bridge Tee Towers

Job _____
 Area _____
 Item No. _____
 Model No. _____

TEE TOWER MODEL NOS.	Stainless Steel	4006-2B	4006-3B	4006-4B	4006-5B	4006-6B	4006-7B	4006S8B
	Polished Chrome	4006-2BPC	4006-3BPC	4006-4BPC	4006-5BPC	4006-6BPC	4006-7BPC	4006S8BPC
	Tarnish-Free Brass	4006-2BTF	4006-3BTF	4006-4BTF	4006-5BTF	4006-6BTF	4006-7BTF	4006S8BTF
NUMBER OF FAUCETS		2	3	4	5	6	7	8
TEE LENGTH (mm)		9 1/8" (232)	9 1/8" (232)	11 7/8" (302)	14 5/8" (372)	17 3/8" (441)	20 1/8" (511)	22 7/8" (581)
FAUCET CENTERS (mm)		5 1/2" (140)	2 3/4" (70)	2 3/4" (70)	2 3/4" (70)	2 3/4" (70)	2 3/4" (70)	2 3/4" (70)
OPTIONS AND ACCESSORIES		• Matching drainers		• Faucet locks		• Extra high models		

BRIDGE TOWER MODEL NOS.	Stainless Steel	4006-8B	4006-10B	4006-12B	4006-16B	4006-20B
	Polished Chrome	4006-8BPC	4006-10BPC	4006-12BPC	4006-16BPC	4006-20BPC
	Tarnish-Free Brass	4006-8BTF	4006-10BTF	4006-12BTF	4006-16BTF	4006-20BTF
NUMBER OF FAUCETS		8	10	12	16	20
TEE LENGTH (mm)		33 1/8" (841)	33 1/8" (841)	33 1/8" (841)	44 1/8" (1121)	55 1/8" (1400)
FAUCET CENTERS (mm)		4 1/8" (105)	3" (76)	2 3/4" (70)	2 3/4" (70)	2 3/4" (70)
DIMENSION "A"		16 1/2" (419)			22" (559)	27 1/2" (699)
OPTIONS AND ACCESSORIES		• Matching drainers		• Faucet locks		• Extra high models

NSF NSF Approved Tee Towers and Bridge Towers. Add the suffix letter "N" to part number.



8300 West Good Hope Road • Milwaukee, WI 53223 • Phone 414-353-7060 • Fax 414-353-7069
 Toll Free 800-558-5592 • E-Mail: Perlick@Perlick.com • www.Perlick.com