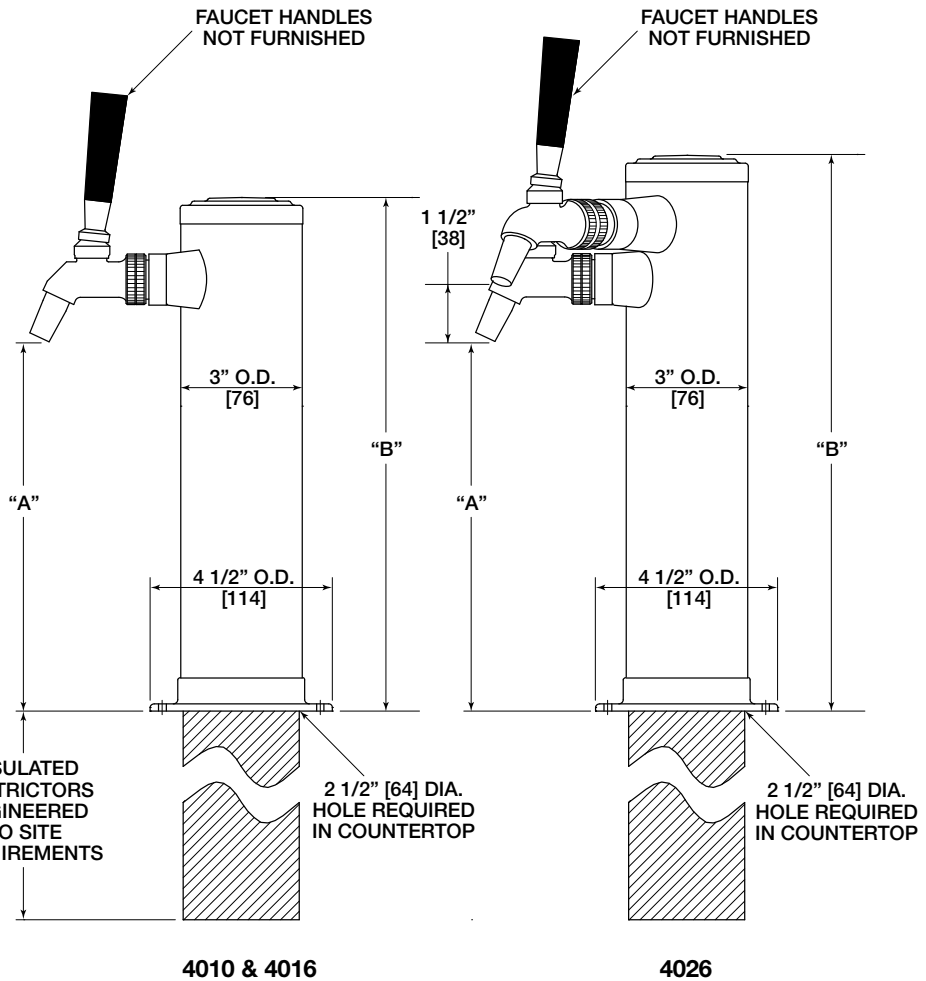
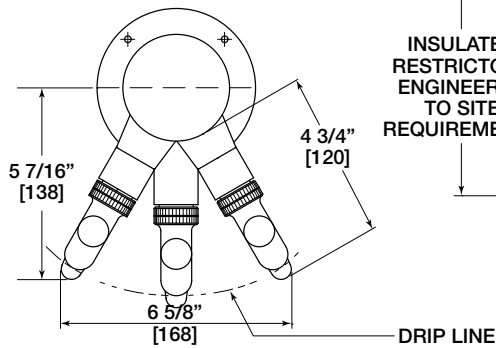
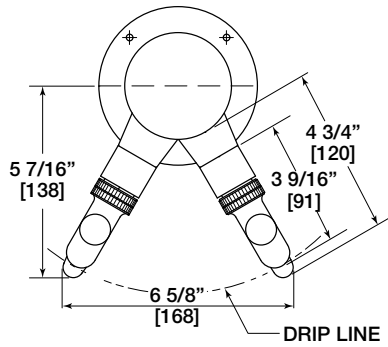
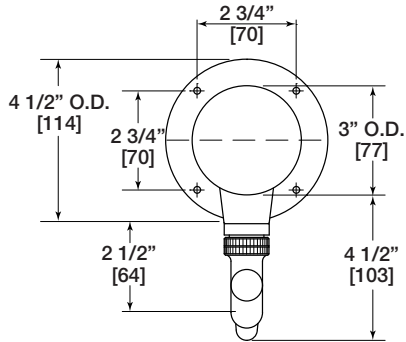


Sizes and Specifications 3"OD Draft Arms

Job _____
 Area _____
 Item No. _____
 Model No. _____

MODEL NOS.	Polished Chrome	4010	4016	4026
	Tarnish-Free Brass (PVD)	4010TF	4016TF	4026TF
NUMBER OF FAUCETS		1	2	3
"A" DIMENSIONS (mm)		97 ¹ / ₁₆ " (240)	97 ¹ / ₁₆ " (240)	97 ¹ / ₁₆ " (240)
"B" DIMENSIONS (mm)		121 ¹ / ₁₆ " (322)	121 ¹ / ₁₆ " (322)	131 ¹ / ₁₆ " (348)
OPTIONS AND ACCESSORIES		• Matching drainers	• Faucet locks	• Extra high models



8300 West Good Hope Road • Milwaukee, WI 53223 • Phone 414-353-7060 • Fax 414-353-7069
 Toll Free 800-558-5592 • E-Mail: Perlick@Perlick.com • www.Perlick.com

Perlick is committed to continuous improvement. Therefore, we reserve the right to change specifications without prior notice.

Form No. 050196A
 Rev. 06.05.09