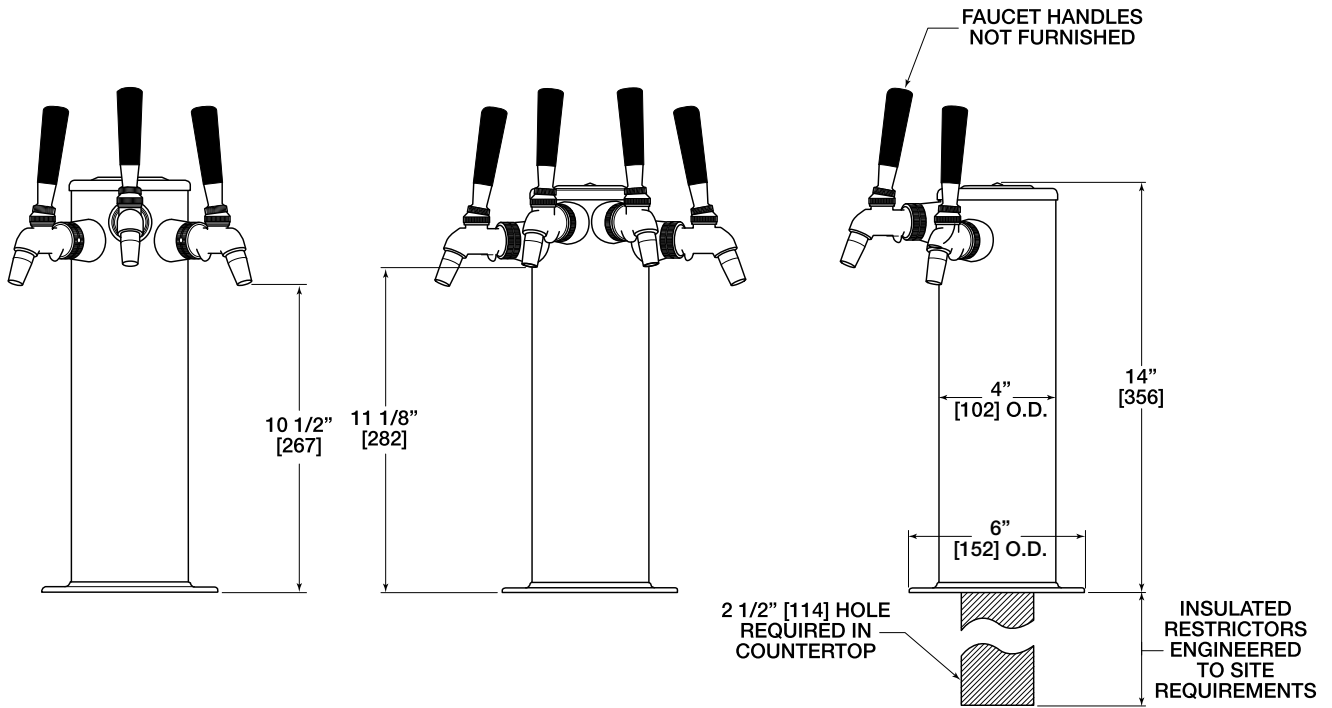
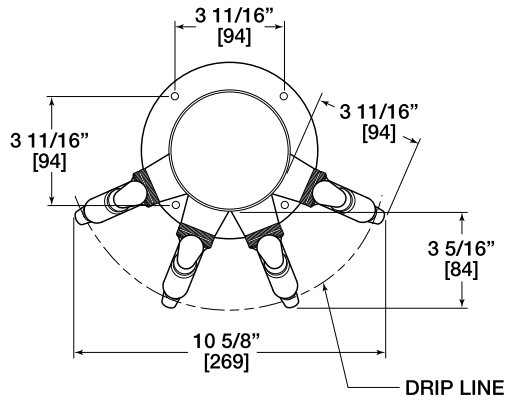
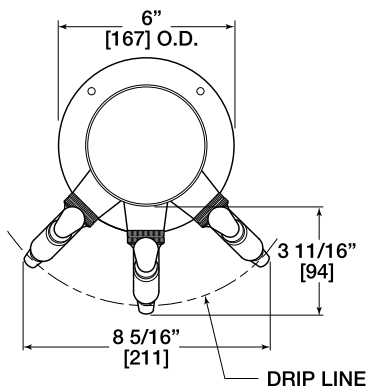


Sizes and Specifications 4"OD Draft Arms

Job _____
 Area _____
 Item No. _____
 Model No. _____

MODEL NOS.	Polished Chrome	4028	4029
	Tarnish Free Brass (PVD)	4028TF	4029TF
NUMBER OF FAUCETS		3	4
OPTIONS AND ACCESSORIES		• Matching drainers	• Faucet locks



8300 West Good Hope Road • Milwaukee, WI 53223 • Phone 414-353-7060 • Fax 414-353-7069
 Toll Free 800-558-5592 • E-Mail: Perlick@Perlick.com • www.Perlick.com