

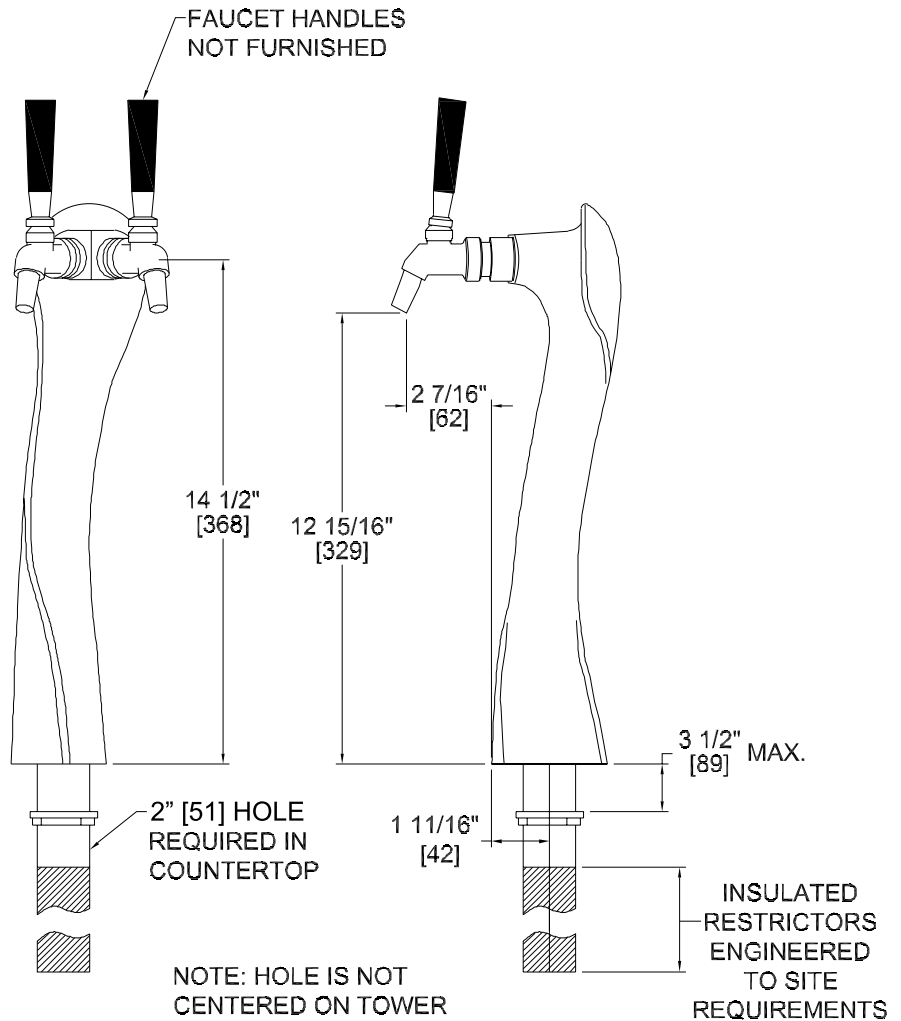
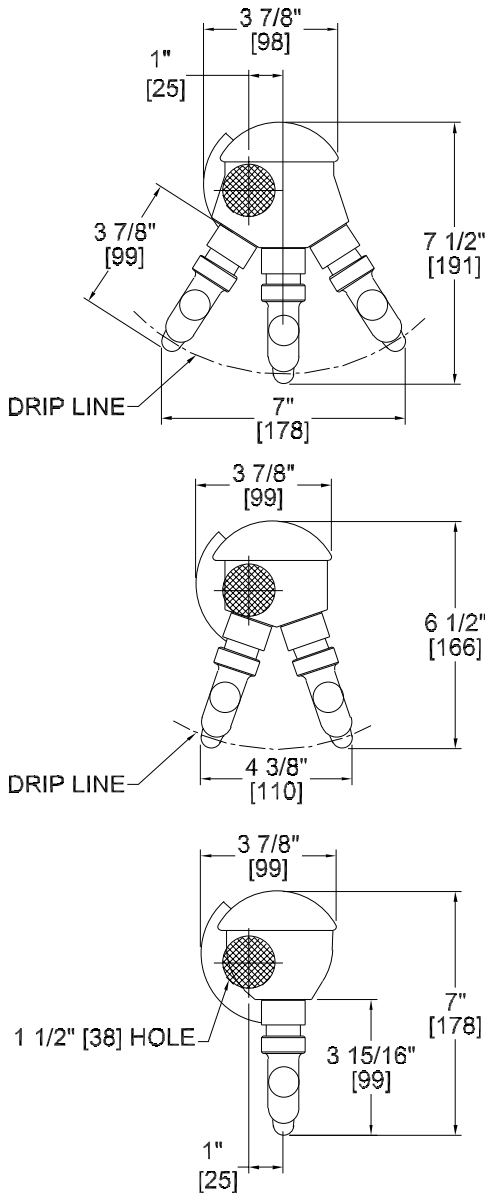
# Size and Specifications

Lucky Towers

Job \_\_\_\_\_  
 Area \_\_\_\_\_  
 Item No. \_\_\_\_\_  
 Model No. \_\_\_\_\_

MODEL NOS.	POLISHED CHROME	4041-1B	4041-2B	4041-3B
	TARNISH-FREE GOLD (PVD)	4041GD-1B	4041GD-2B	4041GD-3B
	POLISHED CHROME (Iced)*	4042-1B	4042-2B	4042-3B
NUMBER OF FAUCETS		1	2	3
OPTIONS & ACCESSORIES	Matching drainers, Faucet locks			

\*To build a layer of ice on exterior of tower, an additional Power Pak is required.



Form No. 050196N  
 Rev. 03.08.2011



8300 West Good Hope Road • Milwaukee, WI 53223 • Phone 414.353.7060 • Fax 414.353.7069  
 Toll Free 800.558.5592 • E-Mail perlick@perlick.com • www.perlick.com

Perlick is committed to continuous improvement. Therefore, we reserve the right to change specifications without prior notice