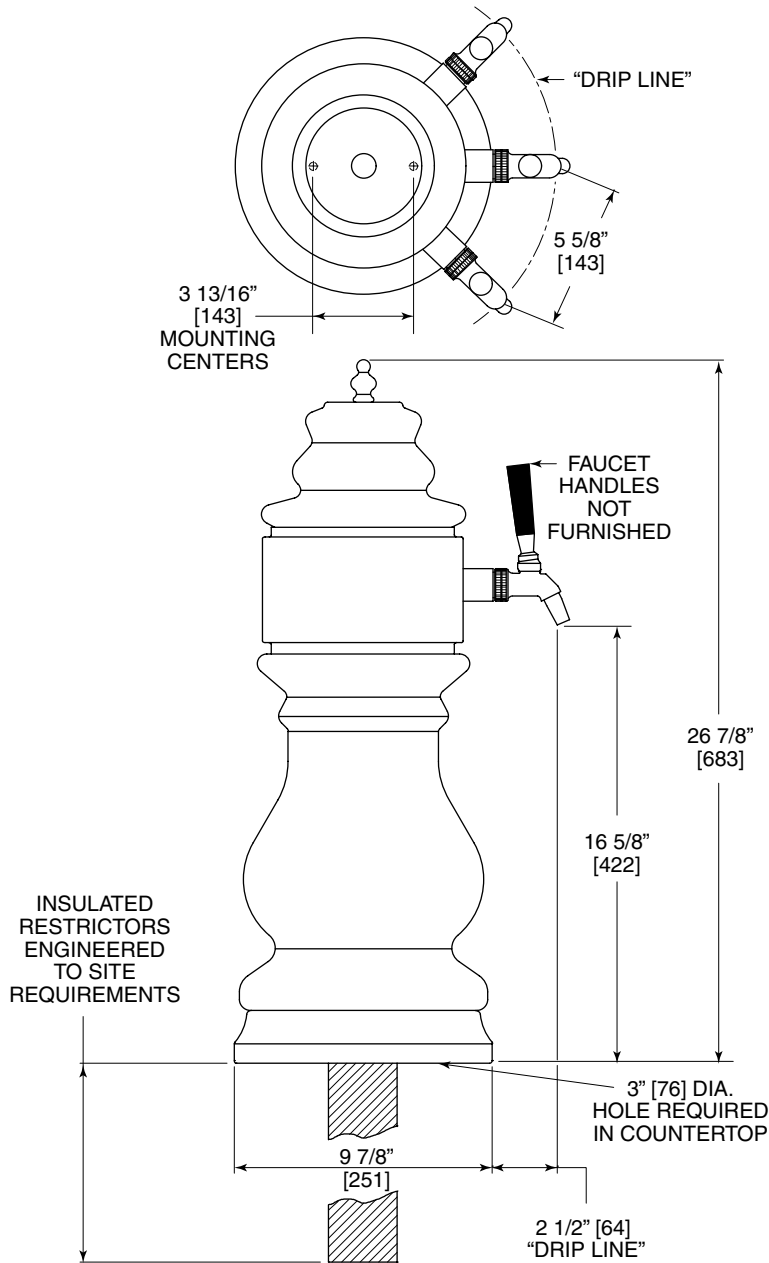


Sizes and Specifications Torino Collar Towers

Job _____
 Area _____
 Item No. _____
 Model No. _____

TORINO COLLAR STYLE MODEL NOS.	White	4054WH1B	4054WH2B	4054WH3B
	Blue	4054BL1B	4054BL2B	4054BL3B
	Green	4054GR1B	4054GR2B	4054GR3B
NUMBER OF FAUCETS		1	2	3
OPTIONS AND ACCESSORIES		• Matching drainers • Faucet locks		



8300 West Good Hope Road • Milwaukee, WI 53223 • Phone 414-353-7060 • Fax 414-353-7069
 Toll Free 800-558-5592 • E-Mail: Perlick@Perlick.com • www.Perlick.com