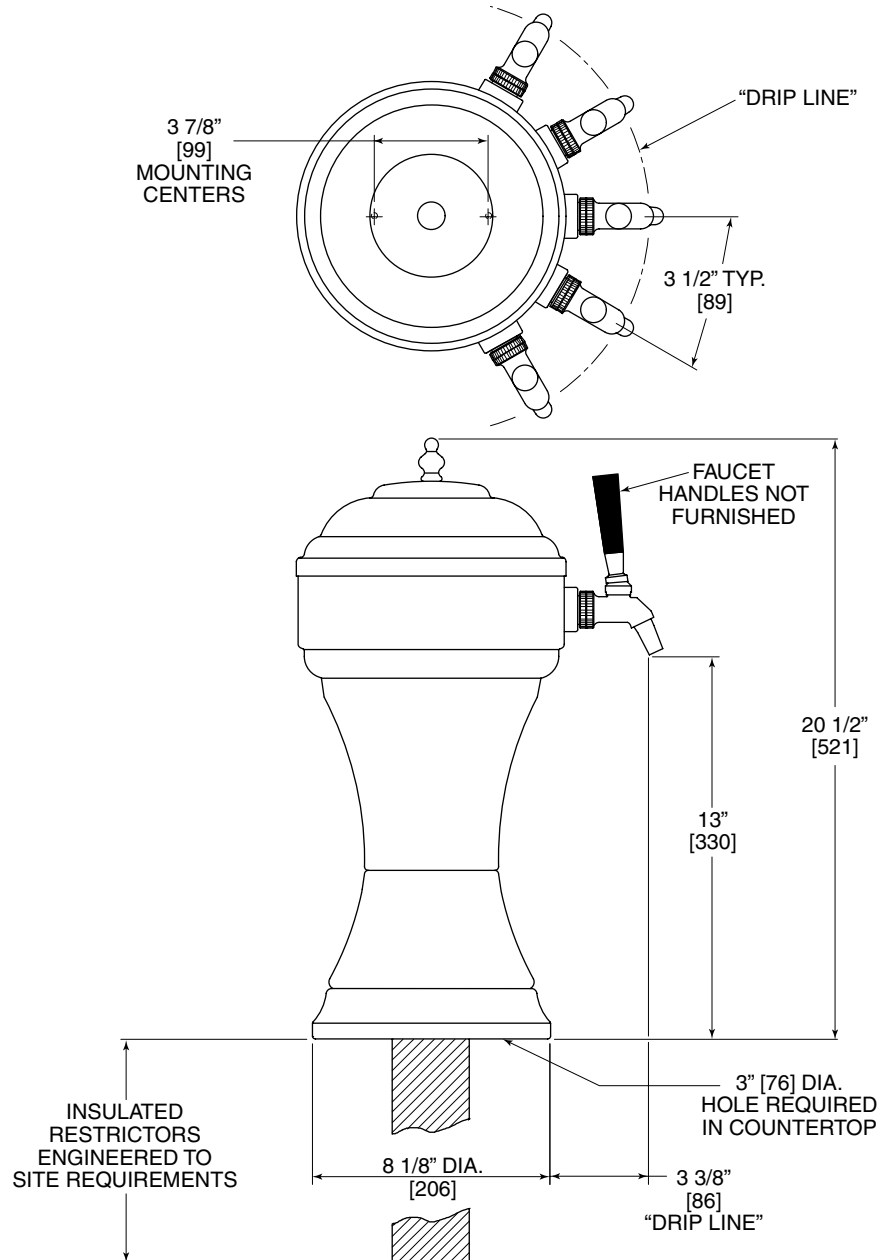


Sizes and Specifications Roma Towers

Job _____
 Area _____
 Item No. _____
 Model No. _____

ROMA MODEL NOS. GOLD FINISH	Black	4056BK3B	4056BK4B	4056BK5B
	White	4056WH3B	4056WH4B	4056WH5B
	Blue	4056BL3B	4056BL4B	4056BL5B
	Green	4056GR3B	4056GR4B	4056GR5B
NUMBER OF FAUCETS		3	4	5
OPTIONS AND ACCESSORIES		<ul style="list-style-type: none"> • To order with polished chrome finish, use suffix PC (i.e., 4056WH4BPC). • Matching drainers • Faucet locks 		



8300 West Good Hope Road • Milwaukee, WI 53223 • Phone 414-353-7060 • Fax 414-353-7069
 Toll Free 800-558-5592 • E-Mail: Perlick@Perlick.com • www.Perlick.com