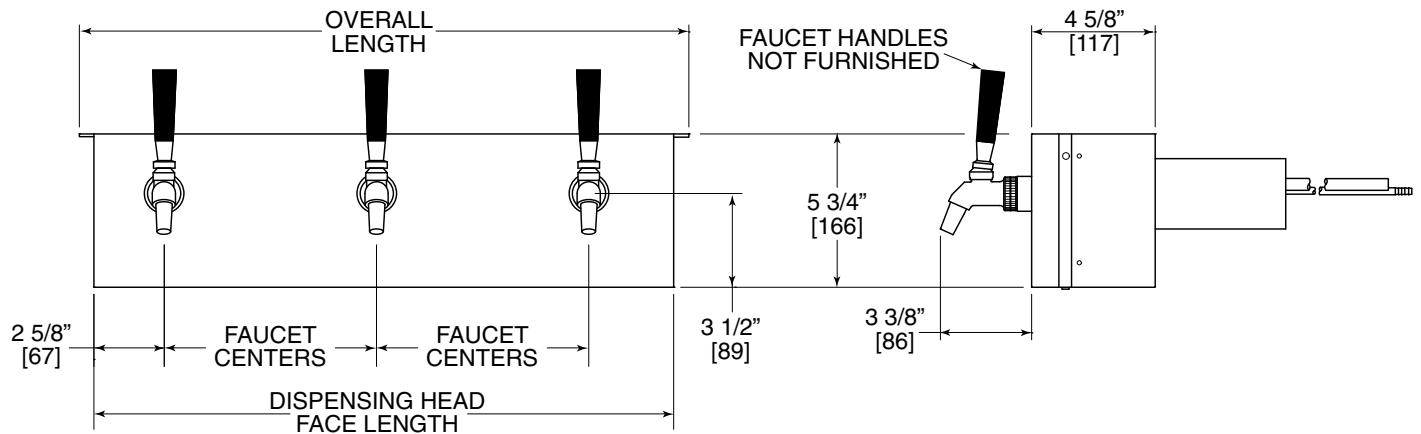


Sizes and Specifications Spacesavers Dispensing Heads

Job _____
 Area _____
 Item No. _____
 Model No. _____

SPACESAVER MODEL NOS.	Stainless Steel	4040A2B	4040A3B	4040A4B	4060A2B	4060A3B	4060A4B	4060A5B	4060A6B	4060A7B
NUMBER OF FAUCETS		2	3	4	2	3	4	5	6	7
LENGTH (mm)		14" (356)	14" (356)	14" (356)	22 1/4" (565)	22 1/4" (565)	22 1/4" (565)	22 1/4" (565)	22 1/4" (565)	22 1/4" (565)
FACE LENGTH (mm)		13" (330)	13" (330)	13" (330)	21 1/8" (537)	21 1/8" (537)	21 1/8" (537)	21 1/8" (537)	21 1/8" (537)	21 1/8" (537)
FAUCET CENTERS (mm)		8 1/4" (210)	4 1/8" (105)	2 3/4" (70)	16 1/2" (419)	8 1/4" (210)	5 1/2" (140)	4 1/8" (105)	2 3/4" (70)	3 3/4" (70)
OPTIONS and ACCESSORIES		<ul style="list-style-type: none"> • Underbar drainers • Faucet Handles 		<ul style="list-style-type: none"> • Console drainer assembly • Optional leads out bottom 		<ul style="list-style-type: none"> • Faucet locks 				



8300 West Good Hope Road • Milwaukee, WI 53223 • Phone 414-353-7060 • Fax 414-353-7069
 Toll Free 800-558-5592 • E-Mail: Perlick@Perlick.com • www.Perlick.com