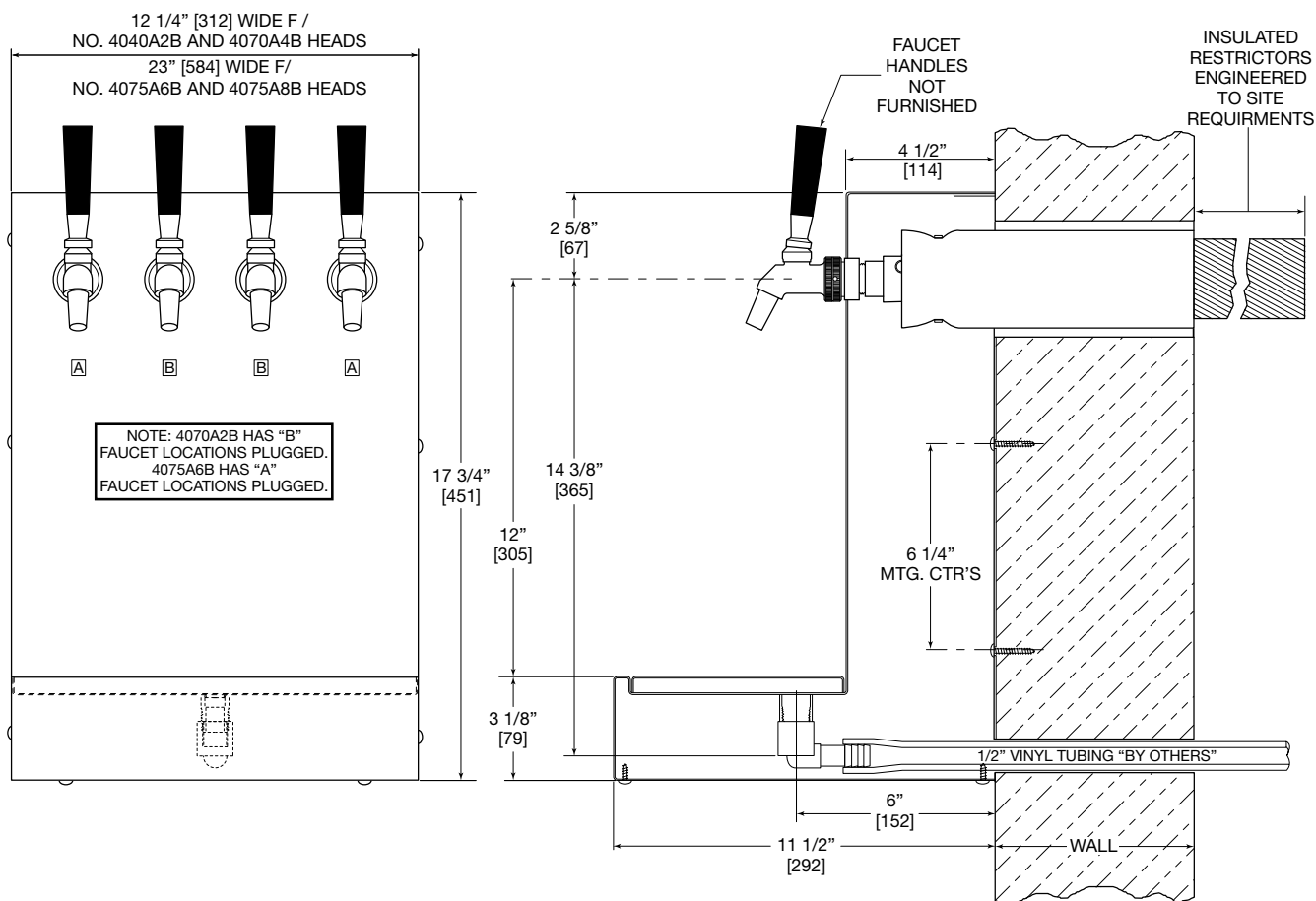


# Sizes and Specifications Wall Mount Dispensing Heads

Job \_\_\_\_\_  
 Area \_\_\_\_\_  
 Item No. \_\_\_\_\_  
 Model No. \_\_\_\_\_

| MODEL NOS.         | Stainless Steel | 4070A2B                                | 4070A4B                                | 4075A6B                                | 4075A8B                                |
|--------------------|-----------------|--|--|--|--|
| NUMBER OF FAUCETS  |                 | 2                                      | 4                                      | 6                                      | 8                                      |
| LENGTH INCHES (mm) |                 | 12 <sup>1</sup> / <sub>4</sub> " (312) | 12 <sup>1</sup> / <sub>4</sub> " (312) | 23" (584)                              | 23" (584)                              |
| HEIGHT INCHES (mm) |                 | 17 <sup>3</sup> / <sub>4</sub> " (451) | 17 <sup>3</sup> / <sub>4</sub> " (451) | 17 <sup>3</sup> / <sub>4</sub> " (451) | 17 <sup>3</sup> / <sub>4</sub> " (451) |



8300 West Good Hope Road • Milwaukee, WI 53223 • Phone 414-353-7060 • Fax 414-353-7069  
 Toll Free 800-558-5592 • E-Mail: Perlick@Perlick.com • www.Perlick.com

Perlick is committed to continuous improvement. Therefore, we reserve the right to change specifications without prior notice. Form No. 050196J  
 Rev. 04.25.09