

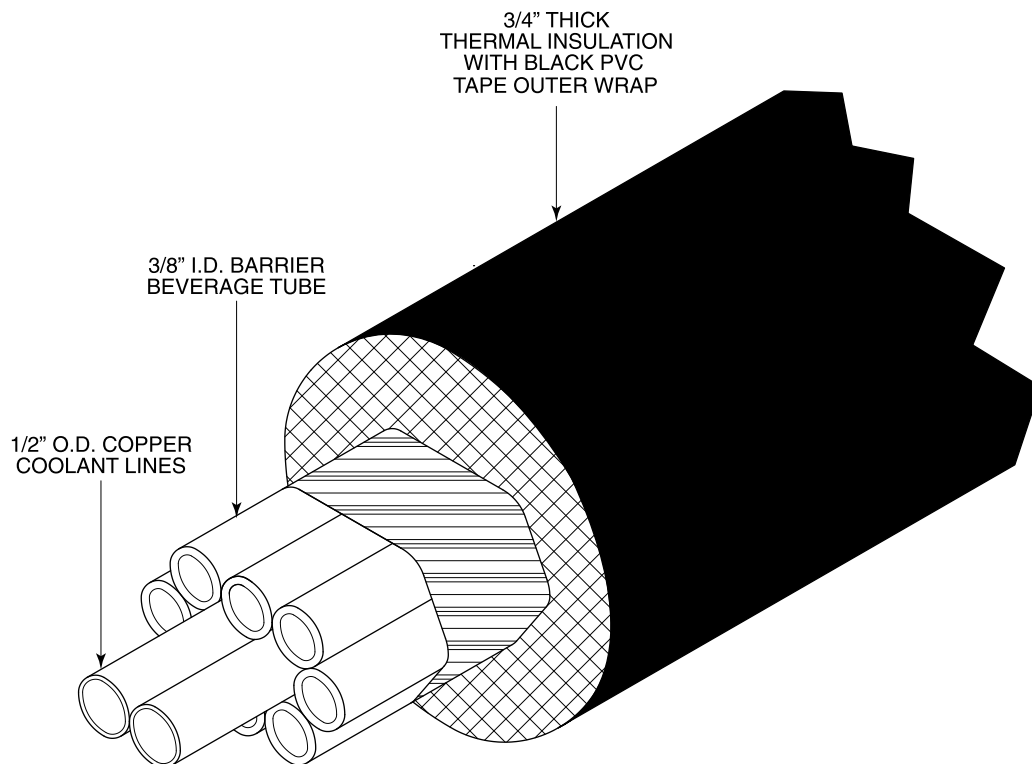
# CENTURY BEER SYSTEM TRUNK HOUSING

## Perlick Features

- 3/8" I.D. NSF-51/NSF-61 accepted AccuFlex Bev-Seal Barrier beer tubing.
- 1/2" O.D. copper coolant lines.
- 3/4" thick thermal insulation.
- Optional waterproof abrasive resistant extruded jacket.
- Optional Saint Gobain 3/8" I.D. beer tubing.

## MODEL NOS.

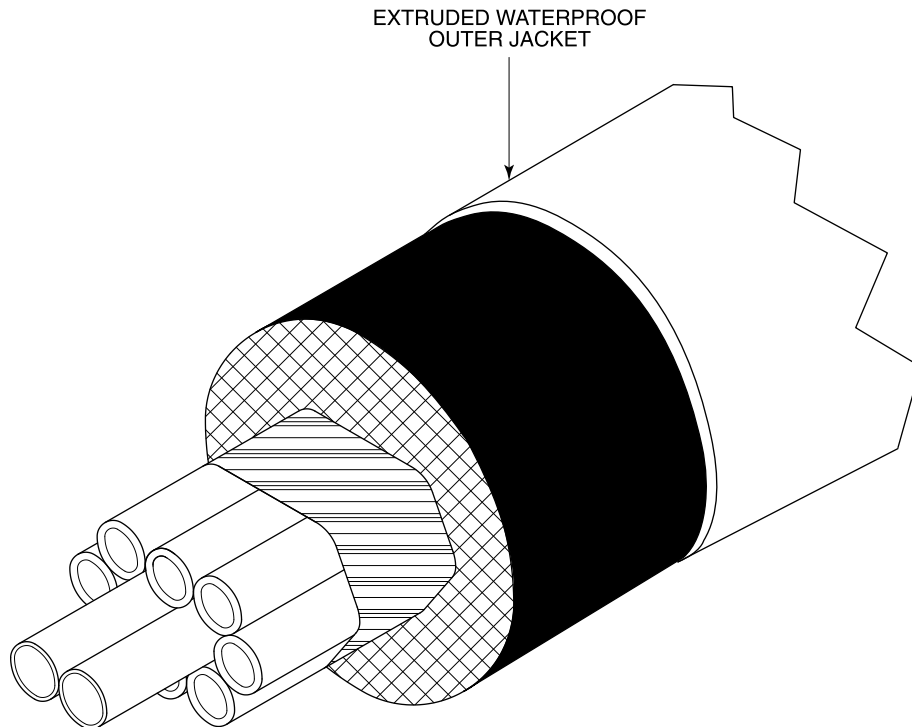
4220 series



# Sizes and Specifications Century System Trunk Housing

Job \_\_\_\_\_  
 Area \_\_\_\_\_  
 Item No. \_\_\_\_\_  
 Model No. \_\_\_\_\_

MODEL NOS.	4220 SERIES
GENERAL	Trunk housings are custom-fabricated at the factory for each installation..
PRODUCT LINES	Up to 12 product lines standard. 16, 20 and 24 line trunk housings available. Call Perlick Milwaukee for details. Each line is number coded for ease of install. All beverage lines have barrier tubing to hold in CO <sup>2</sup> and keep out oxygen.
COOLANT LINES	1/2" copper tubing. A Perlick exclusive. All product lines are in direct contact with copper coolant lines.
INSULATION	3/4" thick thermal insulation. 25/50 flame and smoke rating. Tested by ASTM E84/and CAN/ULC S102. Method of test for surface burning characteristics of building materials. Black PVC tape outer wrap on standard trunk housings.
OPTIONAL	Extruded PVC jacket to prevent water saturation of insulation. Available only in 80 ft. and 150 ft. lengths of 6, 8, or 10 line trunk housing and 100 ft. lengths of 6 and 8 line trunk housing. Saint Gobain 3/8" Synflex Taste-Rite tubing.



8300 West Good Hope Road • Milwaukee, WI 53223 • Phone 414-353-7060 • Fax 414-353-7069  
 Toll Free 800-558-5592 • E-Mail: Perlick@Perlick.com • www.Perlick.com