

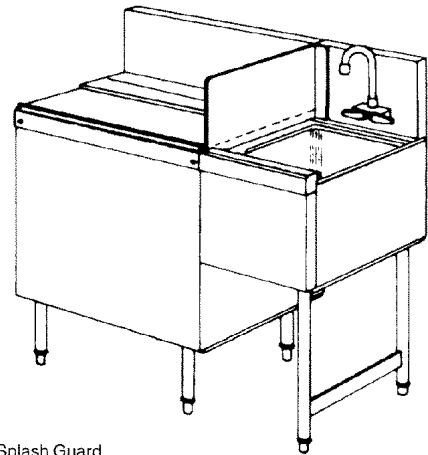
Item No. \_\_\_\_\_  
 Model No. \_\_\_\_\_  
 Job \_\_\_\_\_  
 Area \_\_\_\_\_

# Miscellaneous Accessories

## Splashguards

Stainless steel. Factory installed between individual Topshelf modules or added to either end.

Part No.	For Model No.	Length	Height
7054L	Left endsplash for TS series	18"	8"
7054R	Right endsplash for TS series	18"	8"
7054	Between modules for TS series	18 <sup>5</sup> / <sub>8</sub> "	8"
7054DL	Left endsplash for TSD series	24"	8"
7054DR	Right endsplash for TSD series	24"	8"
7054D	Between modules for TS series	24 <sup>5</sup> / <sub>8</sub> "	8"
7054SL	Left endsplash for TSs series	38"	8"
7054SR	Right endsplash for TSS series	38"	8"

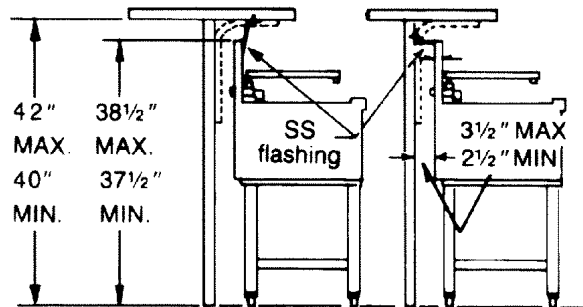


No. 7054 Splash Guard  
between two workboard  
modules

## STAINLESS STEEL UNDERBAR FLASHING

Used to seal underbar service area to underside of bar. Also used to bridge the gap between the bar die and backplash or the underbar and backplash. Available in ten foot lengths which are easily formed in the field to match the bar die. Predrilled holes to facilitate installation.

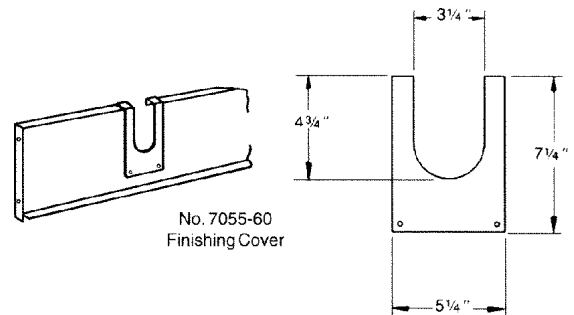
Part No.	Description
C31682	First ten feet - 4 <sup>1</sup> / <sub>2</sub> " wide
C31683	Additional ten foot lengths - 4 <sup>1</sup> / <sub>2</sub> " wide



No. C31682  
Stainless Steel Flashing

## ACCESS CUTOUT FINISHING COVER for Trunk Housing

Part No.	Description
7055-60	Finishing cover



No. 7055-60  
Finishing Cover

## CONNECTOR KITS

One required for each joint.

Part No.	Description
7055-45*	For modules with 8" backplash
7055-4-45*	For modules with 4" backplash
7055-53	For end mount in lieu of leg



8300 West Good Hope Road • Milwaukee, WI 53223 • Phone: 414-353-7060  
 Fax: 414-353-7069 • E-Mail: Perlick@Perlick.com • http://www.Perlick.com

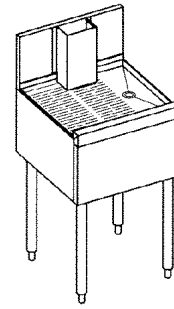
# Miscellaneous Accessories

Item No. \_\_\_\_\_  
 Model No. \_\_\_\_\_  
 Job \_\_\_\_\_  
 Area \_\_\_\_\_

## Access Cutout with Chase for TS Series Drainboards

Stainless steel. Includes chimney. Factory-installed. Does not alter backsplash

Part No.	For Model No.	Length	Height
7055-69	For 8" backsplash	3"	5"
7055-69-4	For 4" backsplash	3"	5"



Drainboard with No. 7055-69 Cutout

## Backsplash Cutout for Soda Lines

Stainless steel. Includes chimney. Factory-installed. Does not alter backsplash

Part No.	For Model No.	Length	Height
7055-265	Backsplash cutout for soda lines	6"	4"

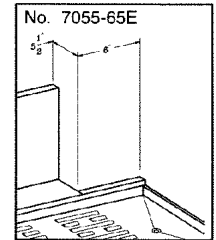
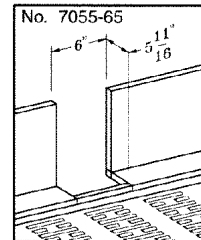
## ACCESS CUTOUT FINISHING COVER for Trunk Housing

Part No.	Description
7055-60	Finishing cover

## ACCESS CUTOUT without Chase for TSD Series Workboards

Provides a 6" x 5<sup>3</sup>/<sub>4</sub>" opening for beverage and/or electrical lines. Factory installed.

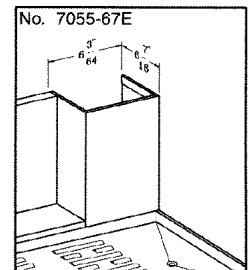
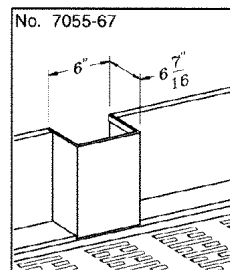
Part No.	Description
7055-65E	Cutout at either end (specify location)
7055-65	Cutout 6" increments from either end (specify location)



## ACCESS CUTOUT with Chase for TSD Series Workboards

Provides a 6" x 6<sup>7</sup>/<sub>16</sub>" opening for beverage and/or electrical lines. Factory installed.

Part No.	Description
7055-67E	Cutout at either end (specify location)
7055-67	Cutout 6" increments from either end (specify location)



8300 West Good Hope Road • Milwaukee, WI 53223 • Phone: 414-353-7060  
 Fax: 414-353-7069 • E-Mail: Perlick@Perlick.com • <http://www.Perlick.com>