



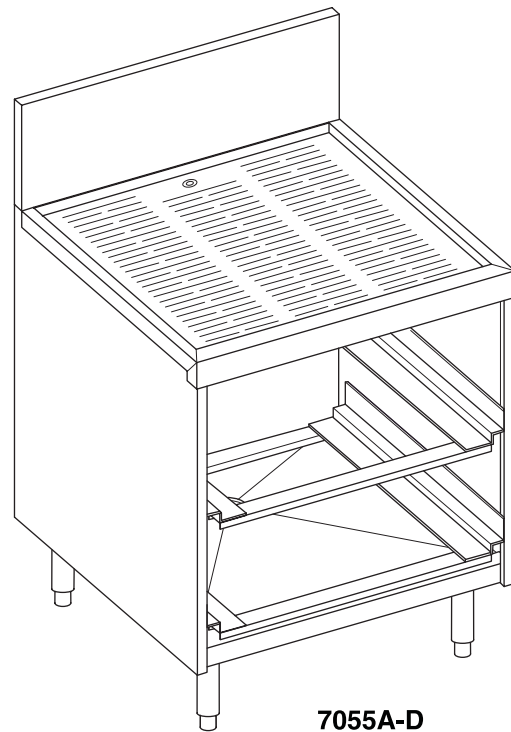
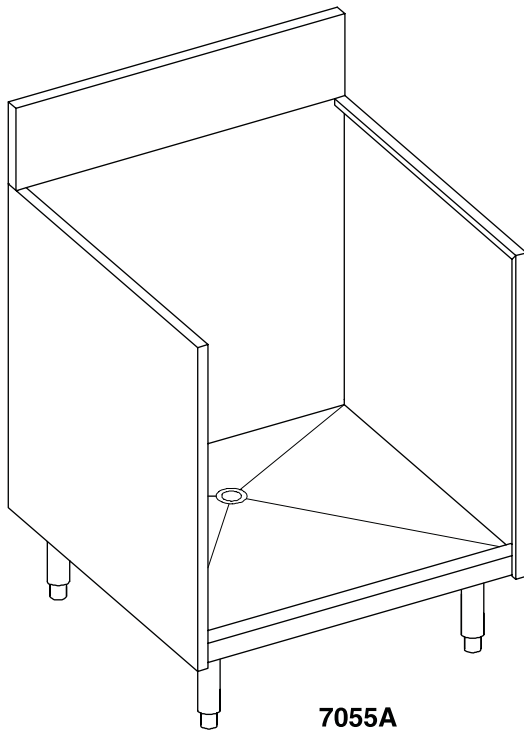
STORAGE BINS FOR GLASSWARE

Perlick Features

- Embossed stainless steel drainboard.
- Quality construction.

MODEL NOS.

- 7055A
- 7055A-D

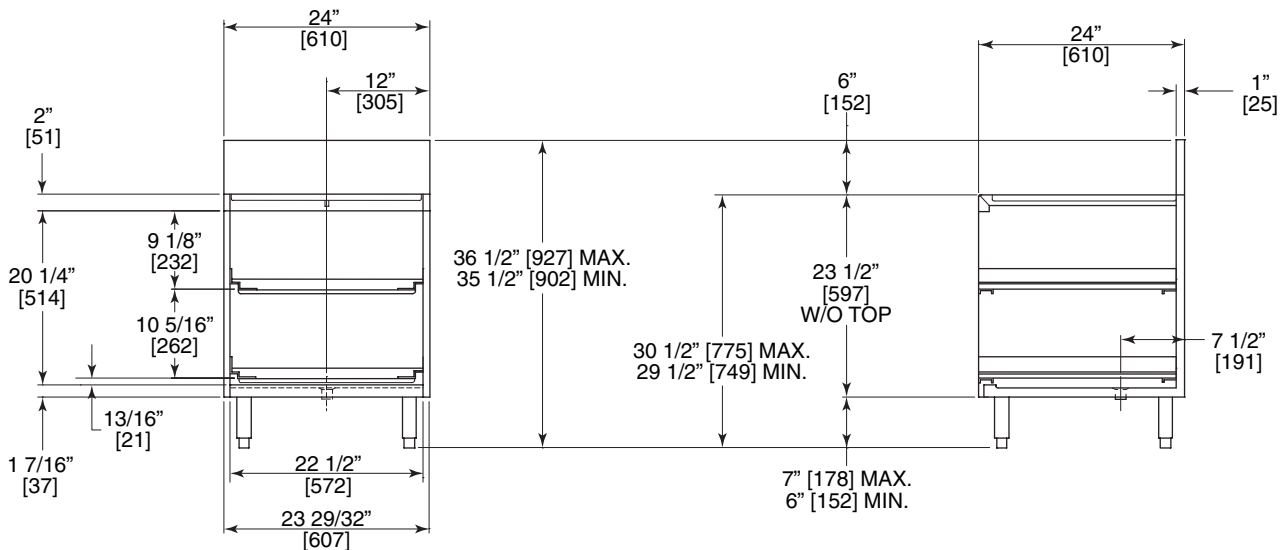
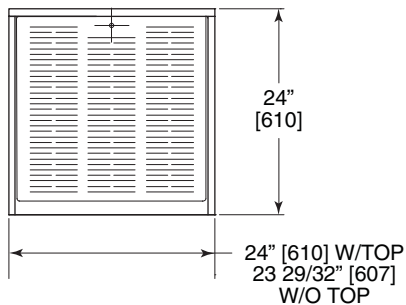




Sizes and Specifications Storage Bins for Glassware

Job _____
 Area _____
 Item No. _____
 Model No. _____

| MODEL NOS. | 7055A (NSF listed) | 7055A-D |
|-------------------|---|------------|
| LENGTH INS. (mm) | 24 (610) | 24 " (610) |
| SHIP WT lbs. (kg) | 50 (23) | 65 (30) |
| GENERAL PARTS | Stainless steel. | |
| BACKSPLASH | General: Stainless steel 6" high (4" high optional) with 1" return at top, mechanically fastened and sealed with steel support brackets. | |
| DRAINBOARD | Model No. 7055A-D: Embossed stainless steel, 21 ⁷ / ₁₆ " deep front to back. All horizontal and vertical edges 1/4" radius with balled corners. Underside reinforced with welded brackets. | |
| LEGS | 1 ⁵ / ₈ " tubular, stainless steel with 1" adjustable stainless steel foot. | |
| PLUMBING | Bin drain-connection - 1 NPS Male. Drainboard: Drain fitting at rear furnished with 1/2" I.D. flexible hose to drain water at bottom. | |



8300 West Good Hope Road • Milwaukee, WI 53223 • Phone 414-353-7060 • Fax 414-353-7069
 Toll Free 800-558-5592 • E-Mail: Perlick@Perlick.com • www.Perlick.com

Perlick is committed to continuous improvement.
 Therefore, we reserve the right to change specifications without prior notice.

Form No. SB01
 Rev. 05.12.07