

# UNDERBAR ACCESSORIES ICE CHESTS

Job \_\_\_\_\_  
 Area \_\_\_\_\_  
 Item No. \_\_\_\_\_  
 Model No. \_\_\_\_\_

## BOTTLE WELLS and COVER ASSEMBLIES

BOTTLE WELLS	Black high impact polypropylene. Inside dimensions of each cup is 4" x 4" x 5 3/4" deep.
COVERS	Two piece, stainless steel. NOTE: Thru-the-bar has a four piece cover assembly.

### MODEL NUMBERS

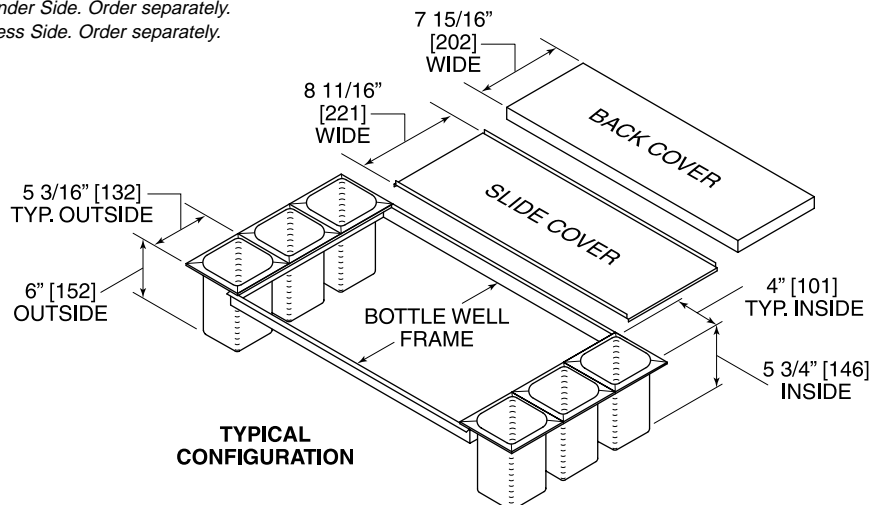
Standard	TS24IC(8)	TS30IC(8)	TS36IC(8)	TS42IC(8)	TS48IC(8)	
Extra Deep	7055A62/64					
Thru-the-Bar						7055A70/73

	BW3-24 (CC5*)	BW3-30 (CC7*)	BW3-36 (CC7*)	N/A	N/A	N/A
	BW6-24 (CC4*)	BW6-30 (CC6*)	BW6-36 (CC6*)	BW6-42 (CC7*)	BW6-48 (CC7*)	N/A
	N/A	BW9-30 (CC4*)	BW9-36 (CC7*)	BW9-42 (CC7*)	BW9-48 (CC7*)	N/A
	N/A	N/A	BW12-36 (CC4*)	BW12-42 (CC6*)	BW12-48 (CC7*)	N/A
	N/A	N/A	N/A	N/A	N/A	BW6PT (CC4**) (CC7†)

\* Maximum optional Condiment Rack Applicable. Order separately.

\*\* Maximum optional Condiment Rack Applicable on Bartender Side. Order separately.

† Maximum optional Condiment Rack Applicable on Waitress Side. Order separately.



8300 West Good Hope Road • Milwaukee, WI 53223 • Phone 414-353-7060 • Fax 414-353-7069  
 Toll Free 800-558-5592 • E-Mail: Perlick@Perlick.com • www.Perlick.com

Perlick is committed to continuous improvement.  
 Therefore, we reserve the right to change specifications without prior notice.

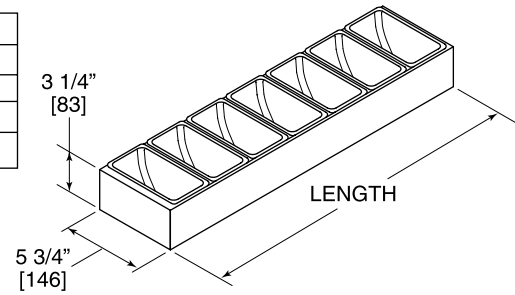
Form No. ACC-01  
 Rev. 03.30.05

# UNDERBAR ACCESSORIES ICE CHESTS

Job \_\_\_\_\_  
 Area \_\_\_\_\_  
 Item No. \_\_\_\_\_  
 Model No. \_\_\_\_\_

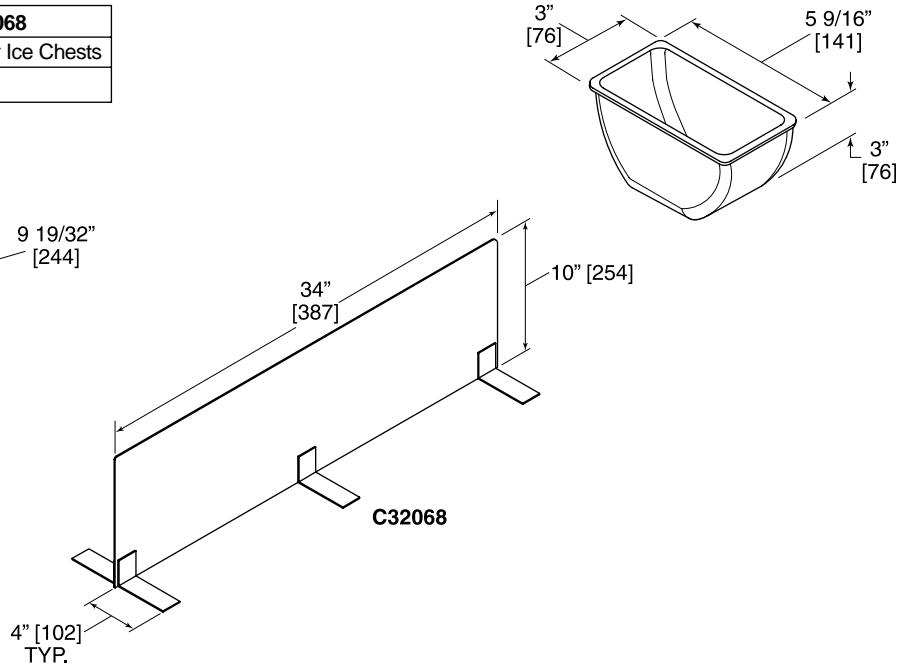
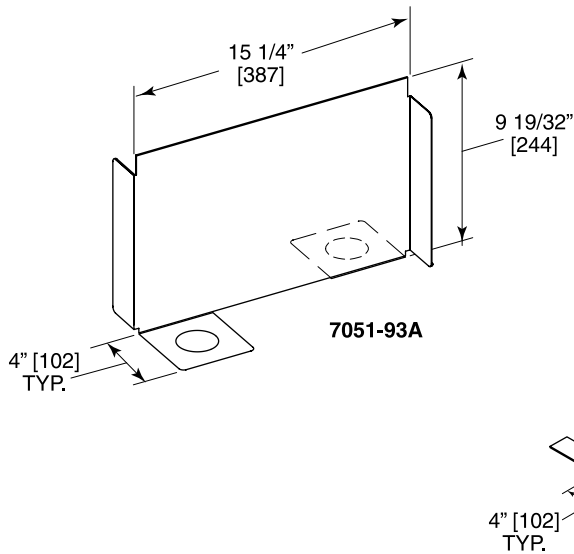
## CONDIMENT CUPS

MODEL NOS.		CC4	CC5	CC6	CC7
DIMENSIONS	Length Ins. (mm)	12 7/16" (316)	15 3/8" (391)	18 5/16" (465)	20 1/4" (514)
NUMBER OF CUPS		4	5	6	7
CUP		White Polyethylene, 1 pint (.5 Liter)			
HOUSING		Free standing, stainless steel with rubber feet.			



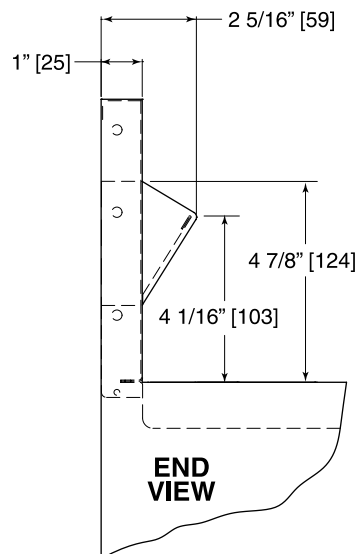
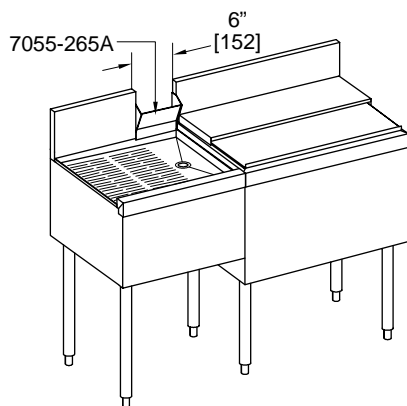
## ICE DIVIDERS - FREE STANDING

MODEL NOS.	7051-93A	C32068
APPLICATION	Standard Ice Chests	Thru-the Bar Ice Chests
MATERIAL	Stainless steel.	



## BACKSPLASH CUT-OUT

MODEL NOS.	7055-265A
APPLICATION	TS Series Underbar with 6" or 4" high back splash to provide access for soda lines.



8300 West Good Hope Road • Milwaukee, WI 53223 • Phone 414-353-7060 • Fax 414-353-7069  
 Toll Free 800-558-5592 • E-Mail: Perlick@Perlick.com • www.Perlick.com

Perlick is committed to continuous improvement.  
 Therefore, we reserve the right to change specifications without prior notice.

Form No. ACC-01  
 Rev. 03.30.05