



NON-REFRIGERATED PASS-THRU STORAGE CABINET
2, 4, & 6 DOOR



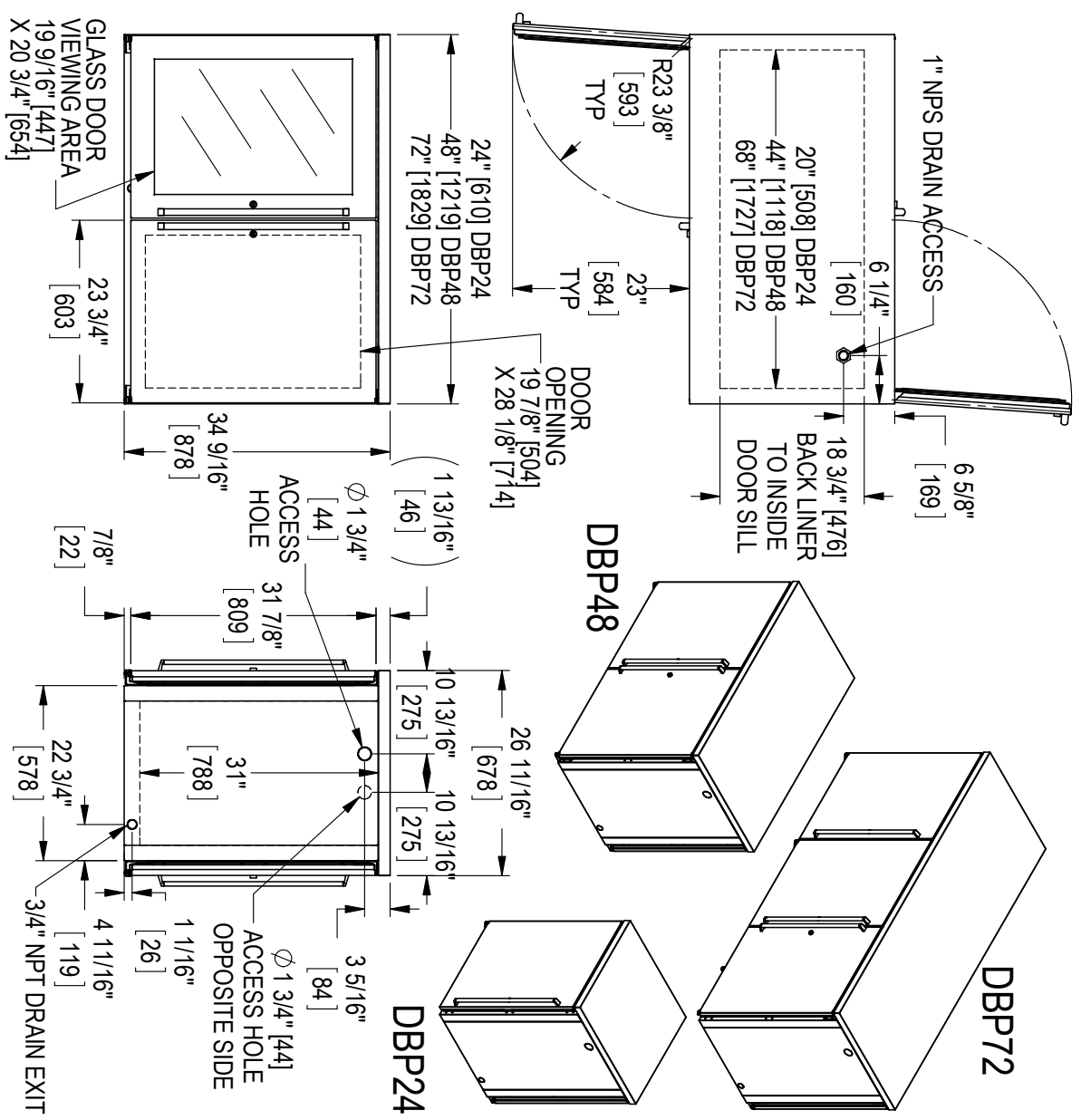
DBP72 shown

JOB	
AREA	
ITEM NO.	
MODEL NO.	
DBP24	2-Door Model
DBP48	4-Door Model
DBP72	6-Door Model



MODEL NUMBERS		DBP24	DBP48	DBP72
NUMBER OF DOORS		2	4	6
EXTERIOR CABINET DIMENSIONS	Length - in. (mm)	24" (610mm)	48" (1219mm)	72" (1829mm)
	Depth - in. (mm)	24.75" (629mm)	24.75" (629mm)	24.75" (629mm)
	Height - in. (mm)	34.565" (878mm)	34.565" (878mm)	34.565" (878mm)
INTERIOR CABINET DIMENSIONS	Length - in. (mm)	20" (508mm)	44" (1118mm)	68" (1727mm)
	Depth - in. (mm)	18.75" (476mm)	18.75" (476mm)	18.75" (476mm)
	Height - in. (mm)	28.5" (724mm)	28.5" (724mm)	28.5" (724mm)
INTERNAL VOLUME Net. Cu. Ft. (Litres)		7.9 (224lt)	16.6 (470lt)	25.7 (728lt)
SHIPPING WEIGHT Lbs. (kg.)		122# (55kg)	199# (90kg)	271# (123kg)

NON-REFRIGERATED PASS-THRU STORAGE CABINET
2, 4, & 6 DOOR



8300 West Good Hope Road, Milwaukee, WI 53223
 (800) 558-5592 • perlick.com