



SELF-CONTAINED DIRECT DRAW CONCESSIONAIRE
2 and 3 DOOR



DDC92 shown

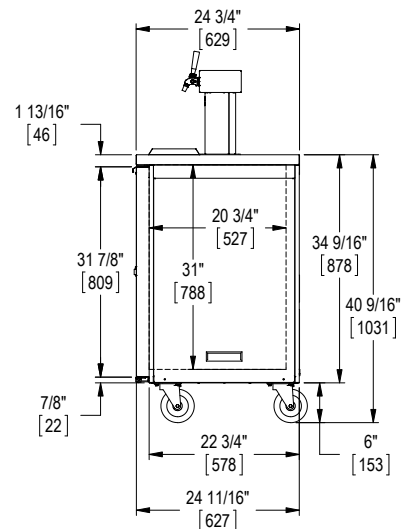
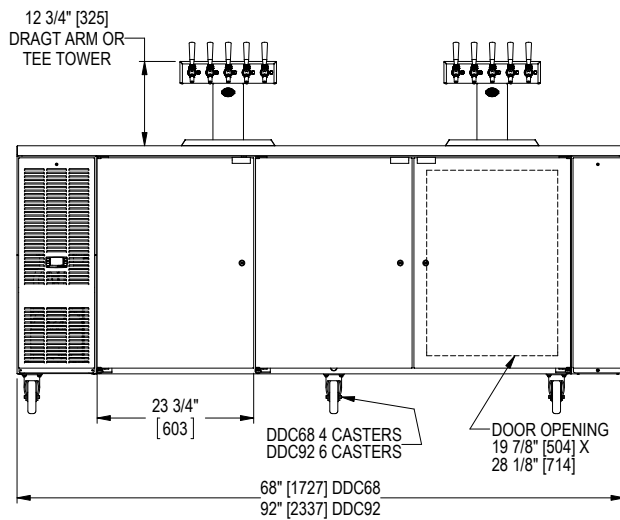
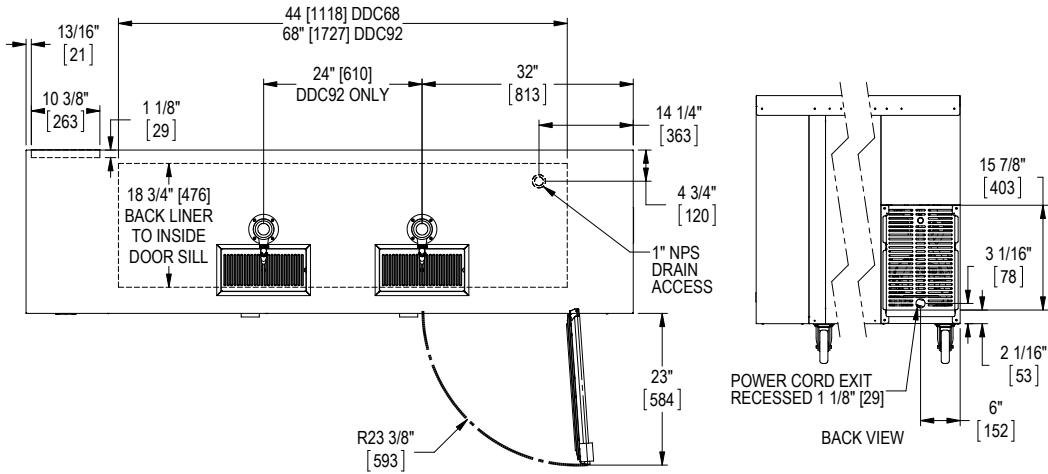
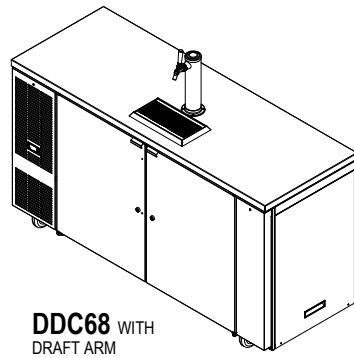
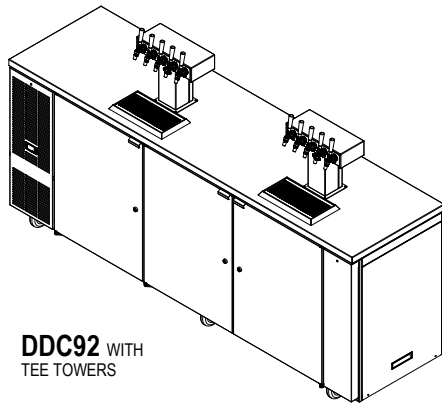
JOB	
AREA	
ITEM NO.	
MODEL NO.	
DDC68	2-Door Model
DDC92	3-Door Model



MODEL NUMBERS		DDC68	DDC92
NUMBER OF DOORS		2	3
EXTERIOR CABINET DIMENSIONS	Length - in. (mm)	68" (1727mm)	92" (2337mm)
	Depth - in. (mm)	24.75" (629mm)	24.75" (629mm)
	Height - in. (mm)	34.565" (878mm)	34.565" (878mm)
INTERIOR CABINET DIMENSIONS	Length - in. (mm)	44" (118mm)	68" (1727mm)
	Depth - in. (mm)	18.75" (476mm)	18.75" (476mm)
	Height - in. (mm)	28.5" (724mm)	28.5" (724mm)
INTERNAL VOLUME Net. Cu. Ft. (Litres)		16 (453lt)	24.8 (702lt)
SHIPPING WEIGHT Lbs. (kg.)		365# (165kg)	515# (233kg)
ELECTRICAL SPECIFICATIONS	Electrical Supply	120 VAC/60 Hz/1 Ph	120 VAC/60 Hz/1 Ph
	Running Load Amps	5.5	6.3
	Electrical Connection	Cord Connected	Cord Connected
	Cord Plug Type	NEMA 5-15	NEMA 5-15
	Cord Length	8'	8'
	Defrost Initiation	Automatic	Automatic
	Defrost Type	Off Cycle	Off Cycle
REFRIGERATION SPECIFICATIONS	Thermostat	Digital Control	Digital Control
	Horsepower	1/4	1/3
	Refrigerant	R134a	R134a
	Refrigerant Charge	7.0	7.0
	Factory Temperature Setting-Refrigerator	38 (3.3)	38 (3.3)
	Temperature Range-Refrigerator	33-40 (0.5-4.5)	33-40 (0.5-4.5)
	Condensing Unit Location	Left	Left
	Expansion Device	Capillary Tube	Capillary Tube
	Pull Out Condensing Unit	Yes	Yes
PLUMBING	Front Vented	Yes	Yes
	Floor Drain Included	Yes	Yes
Evaporator Condensate		Automatically	Automatically

SELF-CONTAINED DIRECT DRAW CONCESSIONAIRE

2 and 3 DOOR



95181
 REV
 DAS
 6/10/13
6/11/2013 7:44 AM Form No. 95170
 Rev. 06.11.2013