

# DROP IN ICE CHESTS

---

## MODELS

- DI18IC
- DI24IC
- DI24IC10
- DI30IC
- DI30IC10
- DI36IC
- DI36IC10



## Perlick Features

- Patented design conceals cold plate under liner for improved sanitation (DI24IC10, DI30IC10 and DI36IC10)
- Drops into bar or countertop
- Includes standard covers



GENERATIONS OF  
EXCELLENCE

Form No. IC04  
Rev. 04.05.2012

**Perlick**<sup>®</sup>

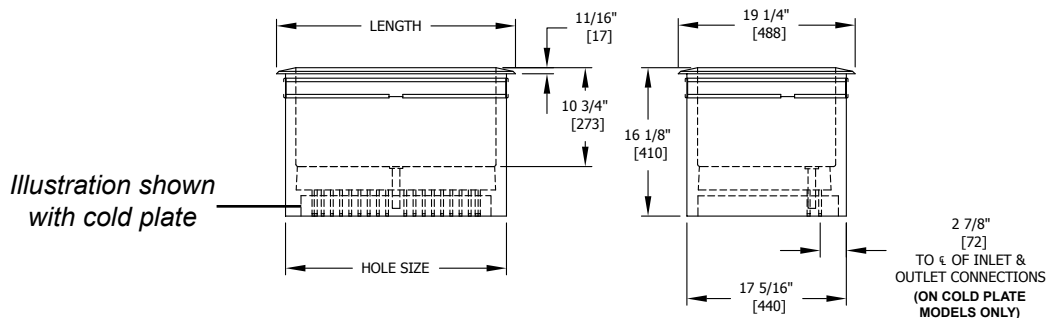
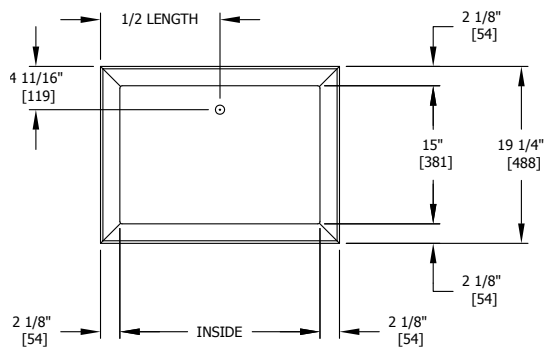
8300 West Good Hope Road • Milwaukee, WI 53223 • Phone 414.353.7060 • Fax 414.353.7069  
Toll Free 800.558.5592 • E-Mail [perlick@perlick.com](mailto:perlick@perlick.com) • [www.perlick.com](http://www.perlick.com)

# Size and Specifications

Drop In Ice Chests

Job \_\_\_\_\_  
 Area \_\_\_\_\_  
 Item No. \_\_\_\_\_  
 Model No. \_\_\_\_\_

MODEL NOS.	DI18IC	DI24IC(10)	DI30IC(10)	DI36IC(10)
OUTSIDE LENGTH IN. (mm)	20" (508)	26" (660)	32" (813)	38" (965)
INSIDE LENGTH IN. (mm)	15-3/4" (400)	21-3/4" (550)	27-3/4" (704)	33-3/4" (860)
ICE CAPACITY lbs. (kg)	35 (16)	50 (23)	65 (29)	80 (36)
NO. OF CIRCUITS	0	0(10)	0(10)	0(10)
HOLE SIZE	18-1/2" X 17-3/4"	24-1/2" X 17-3/4"	30-1/2" X 17-3/4"	36-1/2" X 17-3/4"
SHIP WT. lbs. (kg) - NO COLD PLATE	50 (23)	60 (28)	70 (32)	80 (36)
SHIP WT. lbs. (kg) - w/COLD PLATE	N/A	130 (59)	140 (64)	150 (68)
TOP	Stainless steel			
FRONT & SIDES	Galvanized steel			
BOTTOM	Galvanized steel			
COVERS	Stainless steel, two-piece, included with all Drop In Ice Chests			
INSULATION	Foamed-in-place polyurethane			
PLUMBING	Drain connection- 1/2" NPS male			
COLD PLATE	Cast aluminum plate concealed under ice chest liner. Cold plate has 2 full-length circuits and 8 half-length circuits. Connections - 5/16" O.D. stainless steel tubing with swaged end to accept standard 1/4" I.D. beverage tubing			
OPERATING SPECIFICATIONS	Each full circuit will deliver four, 6 oz. drinks per minute at 40° continuously, or 40 oz. every three minutes in a single draw (Flow rate 2 oz./sec., 75° ambient, 75° product)			



Form No. IC04  
 Rev. 04.05.2012



8300 West Good Hope Road • Milwaukee, WI 53223 • Phone 414.353.7060 • Fax 414.353.7069  
 Toll Free 800.558.5592 • E-Mail perlick@perlick.com • www.perlick.com

Perlick is committed to continuous improvement. Therefore, we reserve the right to change specifications without prior notice