

SINGLE DOOR WINE RESERVE

24" ADA-COMPLIANT SERIES

Perlick Features

- 32" height (including leveling legs) to meet ADA-compliant requirements
- Best in Class 700 Btu commercial-grade compressor
- Front-vented RAPIDcool forced-air refrigeration system
- Commercial-grade stainless steel interior
- Industry Exclusive black vinyl-coated, full-extension pull-out shelves
- Stainless steel ball bearing glides provide smooth shelf movement
- Convertible door design allows for all doors to be converted to wood overlay from stainless steel (*note: wood overlay done by customers millworker*)
- Fully-integrated depth allows for flush fit with surrounding cabinetry
- Multiple door styles and finishes available
- Stores up to 40 wine bottles (750 ml.)
- Also available in ADA-Compliant Series: Refrigerator, Refrigerator Drawers, Freezer, Freezer Drawers and Beverage Center

MODELS	
	HA24WB-1L
	HA24WB-1R
	HA24WB-2L
	HA24WB-2R
	HA24WB-3L
	HA24WB-3R
	HA24WB-4L
	HA24WB-4R



Intertek



HA24WB-1R



HA24WB-3R

Form No. AD04
Rev. 08.13.2012



8300 West Good Hope Road • Milwaukee, WI 53223 • Phone 414.353.7060 • Fax 414.353.7069
Toll Free 800.558.5592 • E-mail perlick@perlick.com • Web www.perlick.com

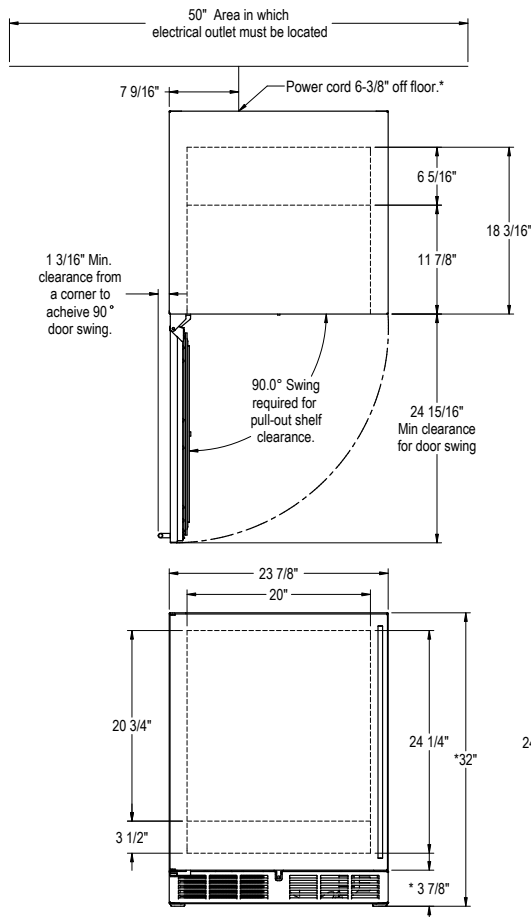
SINGLE DOOR WINE RESERVE

24" ADA-COMPLIANT SERIES

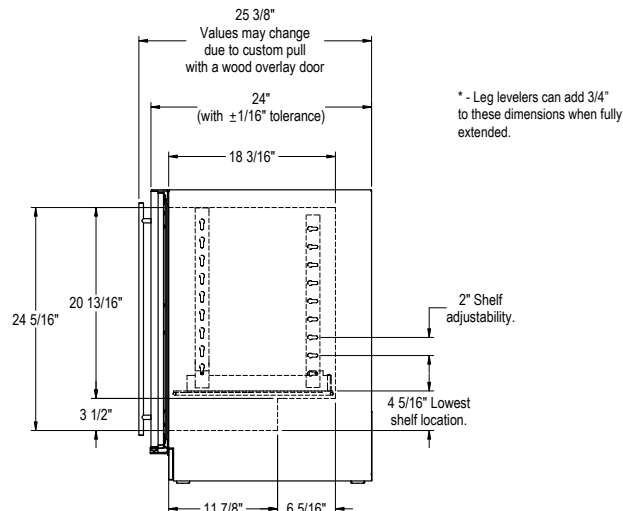


Job _____
 Area _____
 Item No. _____
 Model No. _____

MODEL NO.	HA24WB	
CABINET DIMENSIONS	Length Ins. (mm)	23-7/8" (606)
	Depth Ins. (mm)	24" (610)
	Height Ins. (mm)	32" (813)
SHIP WEIGHT LBS. (KG)	190 (86)	
CAPACITY CU. FT. (L.)	4.8 (136)	
SHELVING	5 black vinyl-coated full-extension wine shelves that hold 8 wine bottles (750 ml.) each (adjustable)	
CABINET CONSTRUCTION (INT.)	Interior Stainless Steel	
CABINET CONSTRUCTION (EXT.)	Exterior Sides, Exterior Top Black Vinyl Exterior Back Galvanized Door Exterior Customer Choice (see below under 'Customer Options')	
CABINET INSULATION	Polyurethane-Ecomate. Wall Thickness-2" Door, Drawer Thickness-2" (solid stainless steel only)	
DOORS, HINGING & HARDWARE	Number of Doors 1 Opening Style Hinged (Left or Right) Door Style Solid or Glass Door Swing Clearance 25" (635) Locks Available (factory installed)	
CONDENSING UNIT	H.P. 1/6 Condenser Access Front	
REFRIGERATION	Refrigerant R134a Expansion Device Capillary Tube Type	
PLUMBING	None required. Moisture drains to self evaporating condensate pan	
ELECTRICAL	Electrical Supply 115V/60 Hz/1 Phase Running Load Amps 2.3 Cord Connection Cord Connected (3-prong 6' NEMA 5-15P) Thermostat Electro-Mechanical Lighting Type Incandescent	
TEMPERATURE SETTINGS F°(C°)	Factory Temp. Setting-Wine Reserve 55°(12.8°) Temp. Range-Wine Reserve 40° - 68°(4.4° - 20°)	
CUSTOMER OPTIONS	Door Finishes Solid Stainless Steel Door (-1), Solid Wood Overlay Door (-2), Stainless Steel Glass Door (-3), Wood Overlay Glass Door (-4)	
ADDITIONAL ACCESSORIES	Casters 3.75" (Part No. 66736) Legs 4"-6" (Part No. 66734), 6"-7.25" (Part. No 66735)	



NOTE: This equipment is intended for the storage and display of non-potentially hazardous bottled or canned products only!



Perlick is committed to continuous improvement.
 Therefore, we reserve the right to change specifications without prior notice.

Form No. AD04
 Rev. 08.13.2012

