

LIGHTED MERCHANDISE DISPLAY - 2 TIER

Perlick Features

- All stainless steel construction.
- Two acrylic tiers, each 4" deep.
- U.L. Listed electrical components.
- Energy saving "Super Bright" LED lights. Consumes 1/3 less energy compared to fluorescent lights.
- Very safe – low heat (12vDC).
- Long life – 50,000 hours min.
- Environmentally friendly – no mercury, lead or toxic gases.
- On/Off switch & power cord – left or right end option.
- Modular construction – factory adjoined 2 and 3 foot long units create displays up to 108" long.

MODEL NOS.

Cord & Switch - Left

- LMD2-24L
- LMD2-36L
- LMD2-48L
- LMD2-60L
- LMD2-72L
- LMD2-84L
- LMD2-96L
- LMD2-108L

MODEL NOS.

Cord & Switch - Right

- LMD2-24R
- LMD2-36R
- LMD2-48R
- LMD2-60R
- LMD2-72R
- LMD2-84R
- LMD2-96R
- LMD2-108R



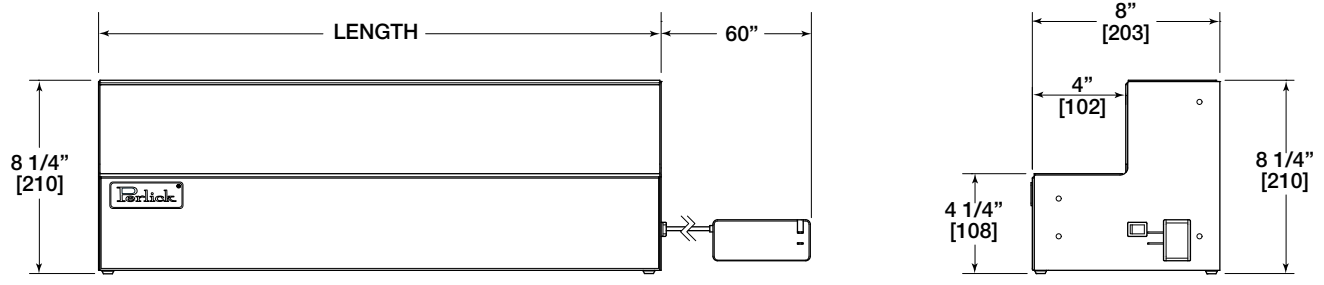
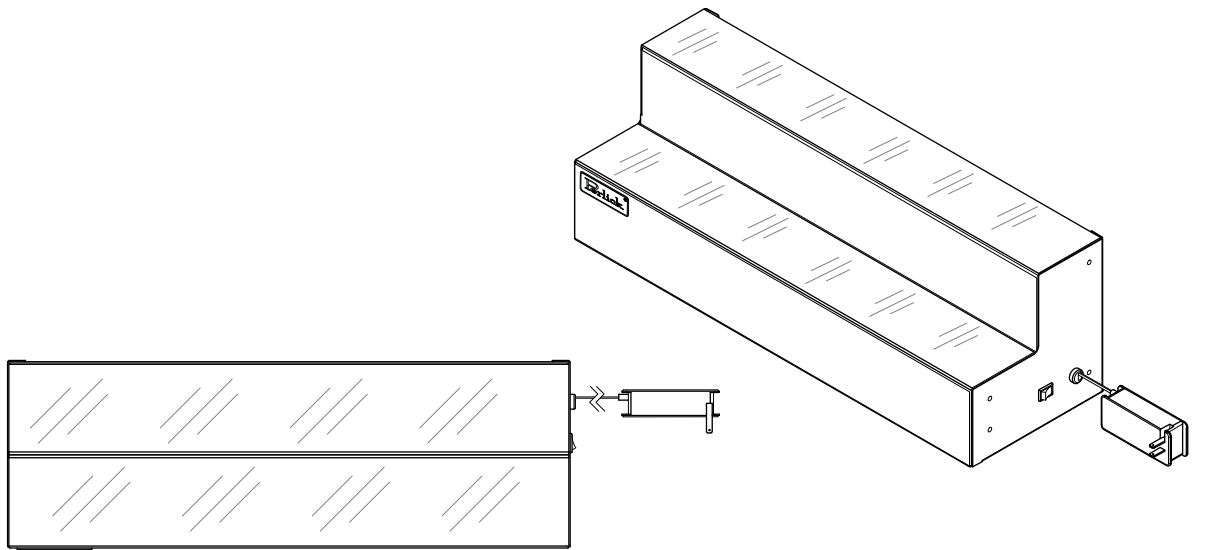
8300 West Good Hope Road • Milwaukee, WI 53223 • Phone 414-353-7060 • Fax 414-353-7069
Toll Free 800-558-5592 • E-Mail: Perlick@Perlick.com • www.Perlick.com

Form No. 061609
Rev. 06.03.10

Sizes and Specifications Lighted Merchandise Display - 2 Tier

Job _____
 Area _____
 Item No. _____
 Model No. _____

MODEL NOS.		LMD2-24L/R	LMD2-36L/R	LMD2-48L/R	LMD2-60L/R	LMD2-72L/R	LMD2-84L/R	LMD2-96L/R	LMD2-108L/R
DIMENSIONS	Length Ins. (mm)	24" (610)	36" (914)	48" (1219)	60" (1524)	72" (1829)	84" (2134)	96" (2438)	108" (2743)
	Depth Ins. (mm)	8" (203)	8" (203)	8" (203)	8" (203)	8" (203)	8" (203)	8" (203)	8" (203)
	Height Ins. (mm)	8 1/4" (210)	8 1/4" (210)	8 1/4" (210)	8 1/4" (210)	8 1/4" (210)	8 1/4" (210)	8 1/4" (210)	8 1/4" (210)
SHIP WT lbs. (kg)		13 (5.9)	20 (9.1)	26 (11.8)	33 (15.0)	40 (18.2)	46 (20.9)	53 (24.1)	60 (27.3)
CONSTRUCTION		All stainless steel with acrylic step covers.							
ELECTRICAL		Input: AC 100-240V, 50/60HZ, 1.2A. Output: DC 12V, 3.8A, 45W, transformer w/2-prong plug (NEMA 215), 5ft. cord (Dry location use only).							
LED COLOR		Cool White, 4200K.							
NO. OF LED'S		36	57	72	93	114	129	150	171
TOTAL WATTS		5.64w	8.93w	11.28w	14.57w	17.86w	20.21w	23.50w	26.79w
TOTAL AMPS		.47A	.74A	.94A	1.21A	1.48A	1.68A	1.95A	2.22A
WARRANTY		LED Lamp: 3 years parts, 90 days labor. Power supply/transformer: 1 year parts, 90 days labor.							



MODEL LMD 2-24R ILLUSTRATED



8300 West Good Hope Road • Milwaukee, WI 53223 • Phone 414-353-7060 • Fax 414-353-7069
 Toll Free 800-558-5592 • E-Mail: Perlick@Perlick.com • www.Perlick.com

Perlick is committed to continuous improvement.
 Therefore, we reserve the right to change specifications without prior notice.

Form No. 061609
 Rev. 06.03.10